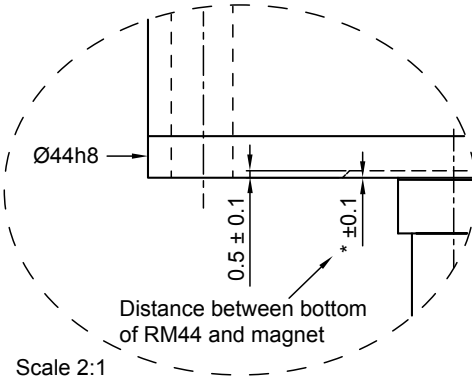
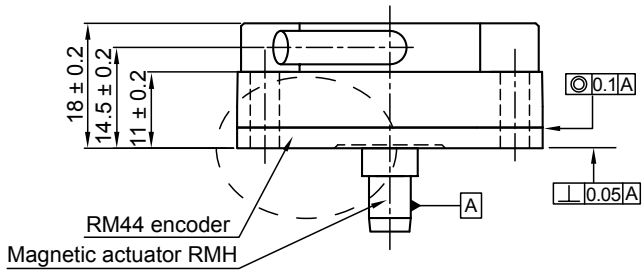


Dimensions RM44 rotary encoder

Dimensions and tolerances in mm.



Scale 2:1

