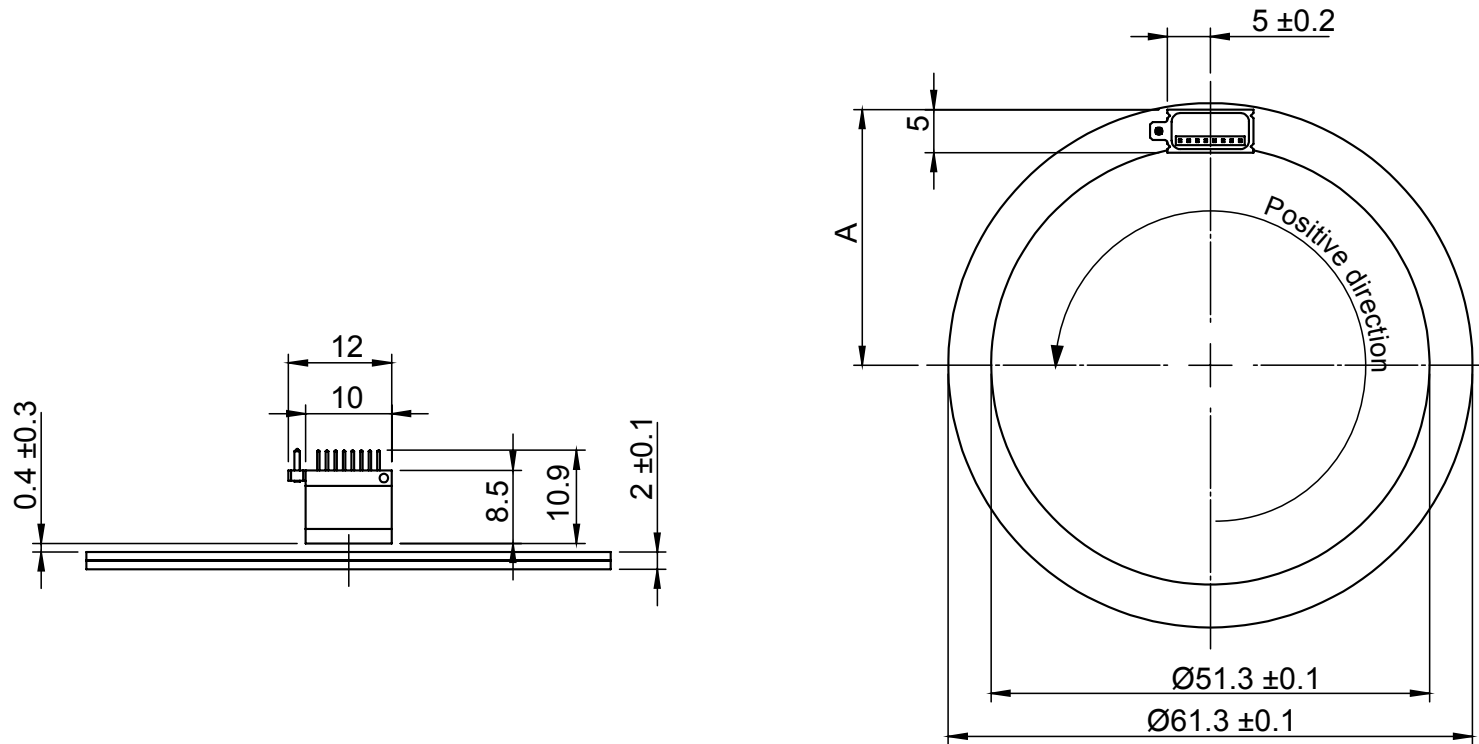


Dimensions and installation drawing MR061C axial ring for RLM



Dimensions and installation tolerance in mm.



Mounting options		
A	90 poles	28.8 ± 0.2 mm
	92 poles	30.4 ± 0.2 mm