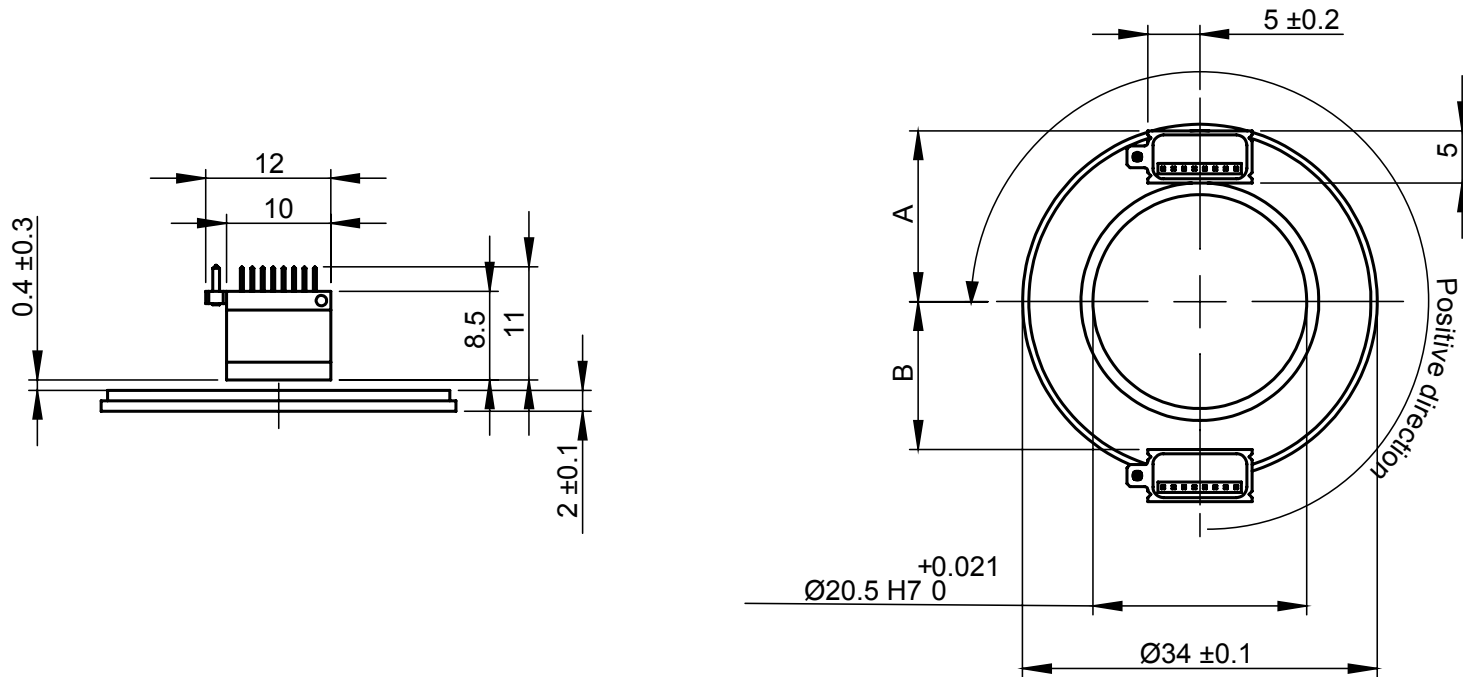


Dimensions and installation drawing MR034C axial ring for RLM



Dimensions and installation tolerance in mm.



Mounting options	CCW (+) ring rotation
A	16.4 ± 0.2 mm positive counting
B	14.2 ± 0.2 mm negative counting