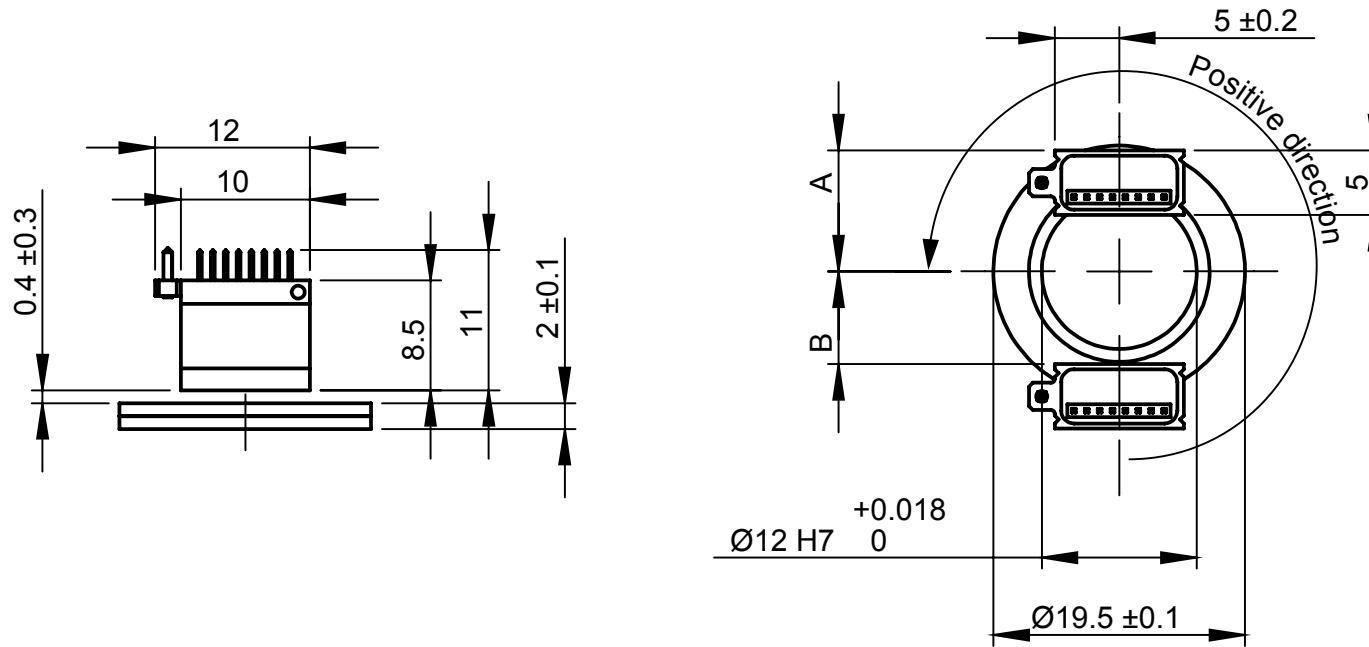


# Dimensions and installation drawing MR020C axial ring for RLM



Dimensions and installation tolerance in mm.



Mounting options	CCW (+) ring rotation
A	9.4 ± 0.2 mm positive counting
B	7.2 ± 0.2 mm negative counting