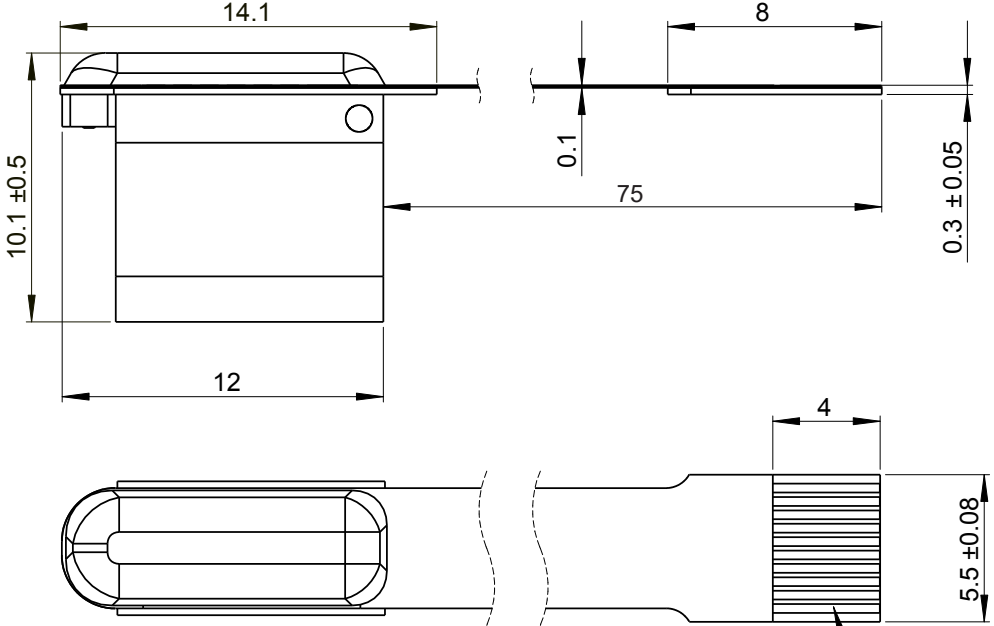


# Dimensions

## RoLin readhead with flex cable

Dimensions and tolerances in mm.



Dynamic bend radius: 5 mm  
 Static bend radius: 1 mm

Pad 1 —  
 Mating connectors\*:  
 Molex - 51281-1094  
 Molex - 52745-1097  
 Molex - 52746-1071  
 JST - 10FLH-SM1-TB  
 JST - 10FLH-RSM1-TB

\* Not provided.