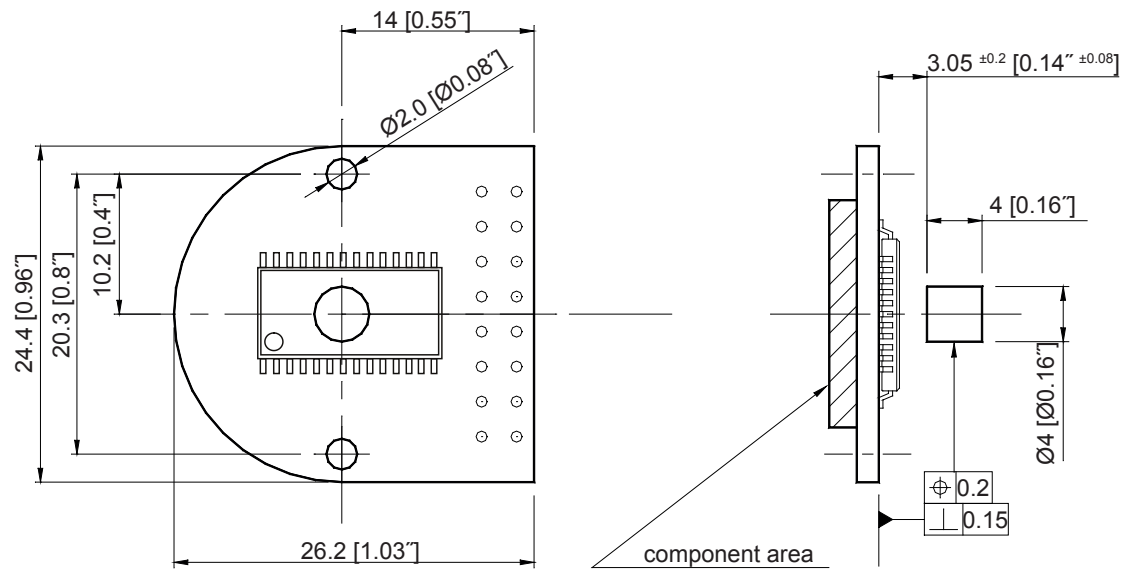


Dimensions RMK2 evaluation board



Dimensions and tolerances in mm.



NOTE: This assembly is a test/evaluation or demonstration kit and is not suitable for production or end-product installation purposes.