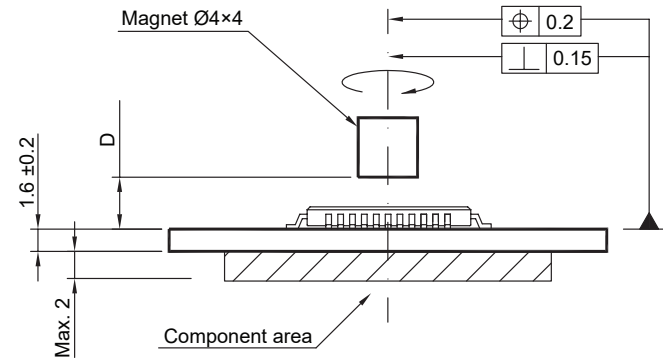
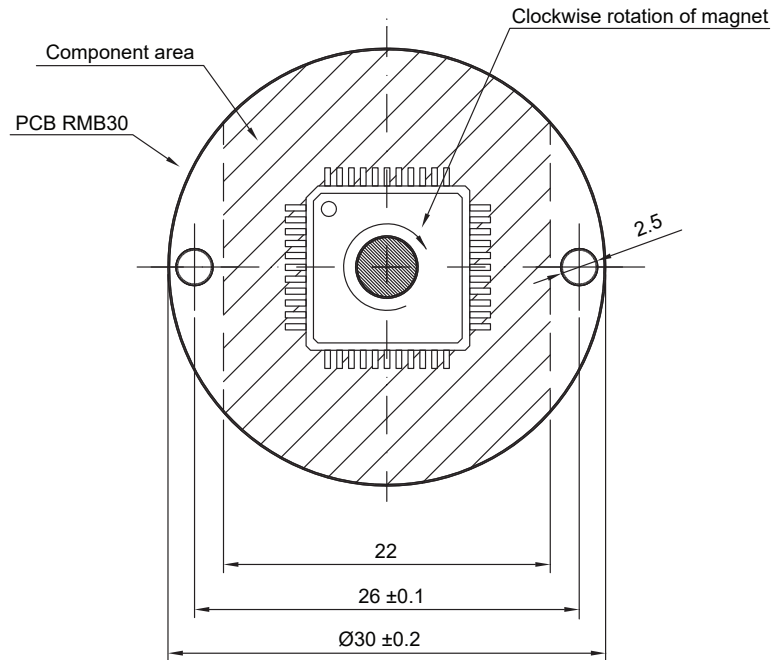


# Installation drawing RMB30 encoder module



Dimensions and tolerances in mm.



Module	D
IA, IB, IC	$3.5 \pm 0.2$
SC, SI	$3.5 \pm 0.2$
Cx, Vx	$2.8 \pm 0.5$