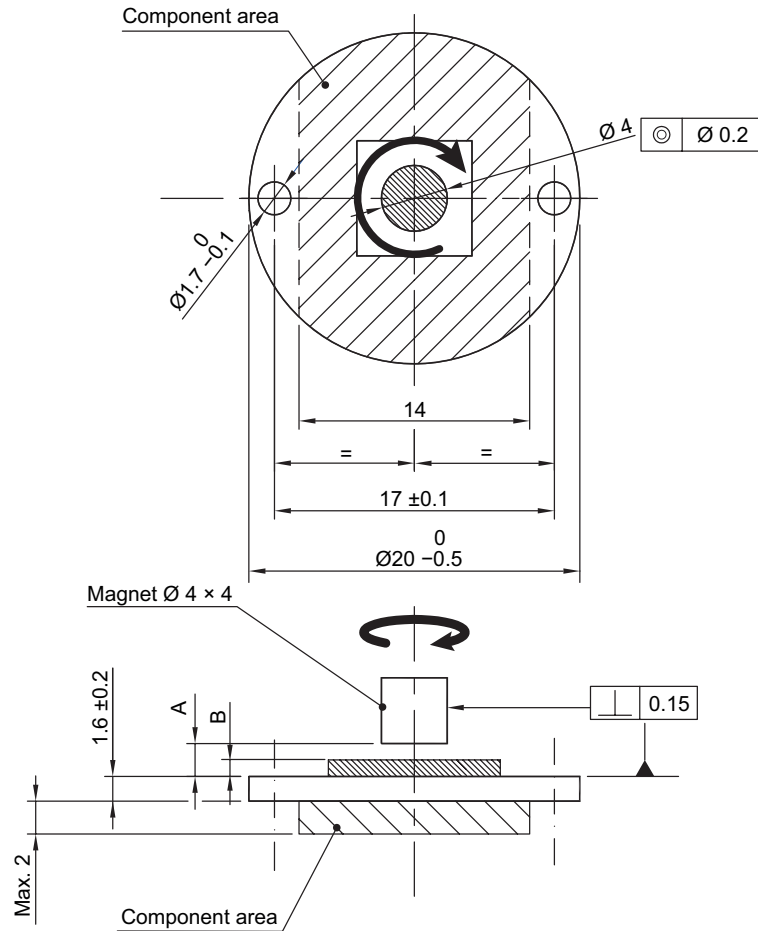


# Installation drawing RMB20 encoder module



Dimensions and tolerances in mm.



Module	A PCB surface to magnet distance [mm]	B Chip height [mm]
RMB20 AC	$2.35 \pm 0.2$	Max. 1.00
RMB20 BC		
RMB20 IC	$3.50 \pm 0.2$	Max. 1.60
RMB20 PC		
RMB20 SC		
RMB20Vx	$2.80 \pm 0.2$	Max. 2