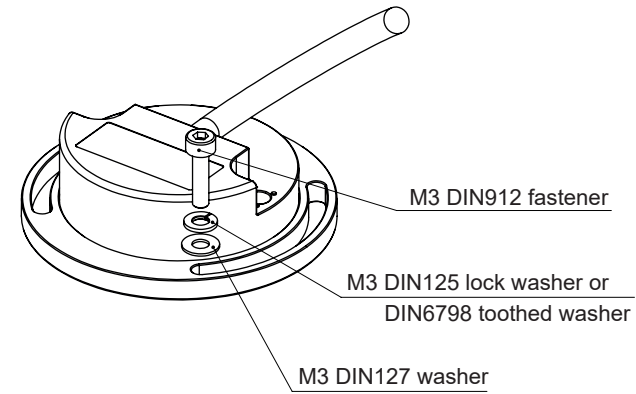
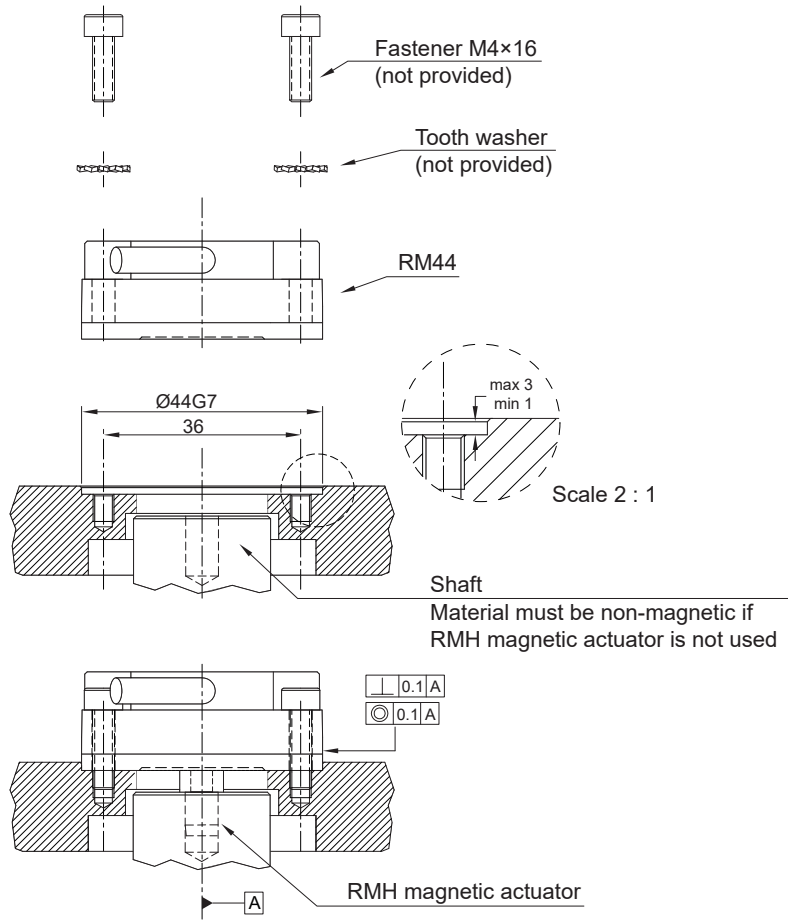


Installation drawing RM44 / RM58



Dimensions and tolerances in mm.



Clockwise (CW) rotation of magnetic actuator

