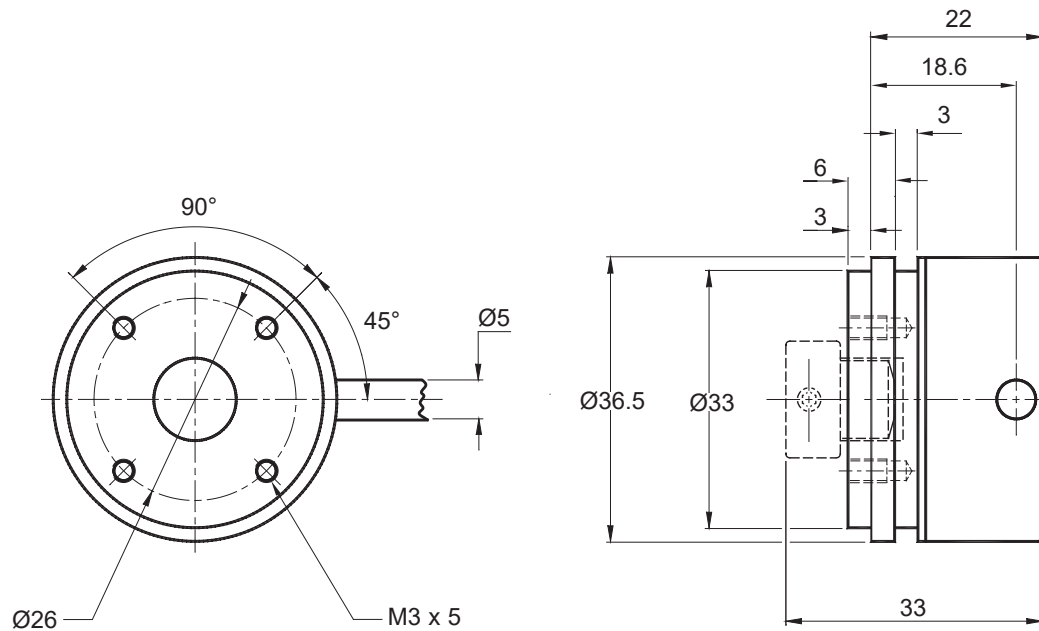


Dimensions RM36 rotary encoder

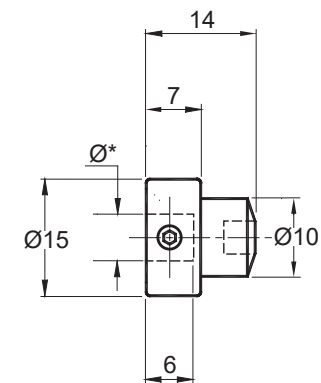
Dimensions and tolerances in mm.



Encoder body



Magnetic actuator



* Hole diameter for nominal shaft size.