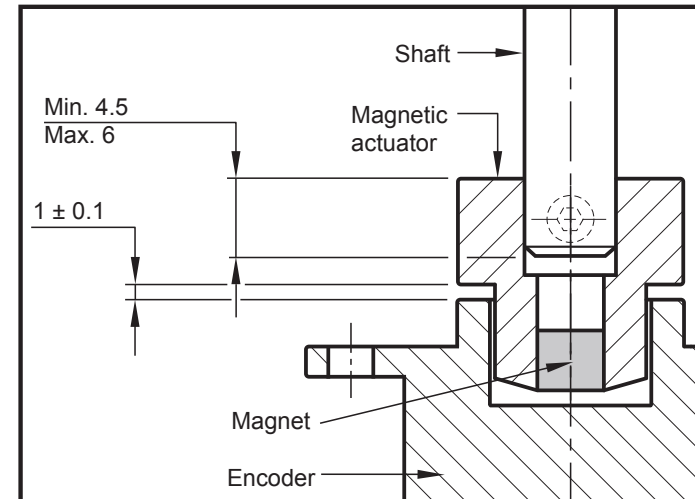
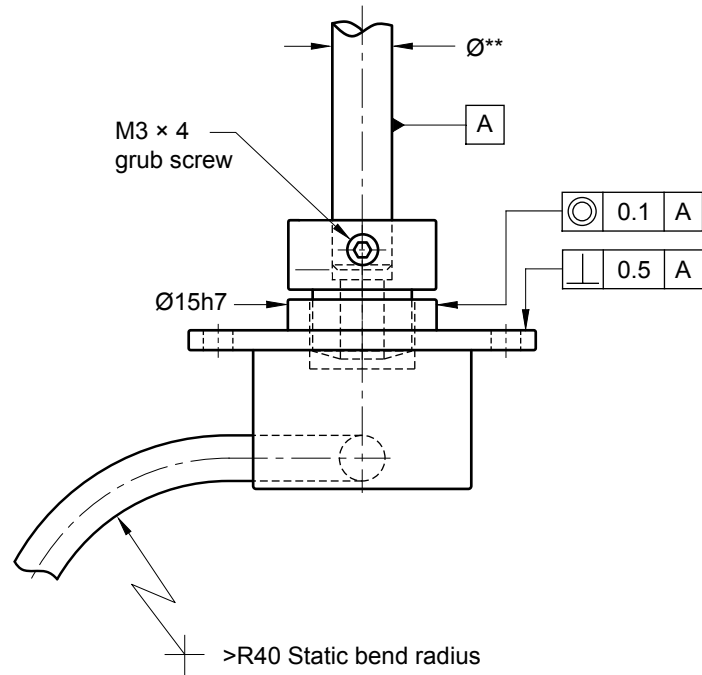


Installation drawing RM22 rotary encoder



Dimensions and tolerances in mm.



** Nominal shaft size with tolerance h7.