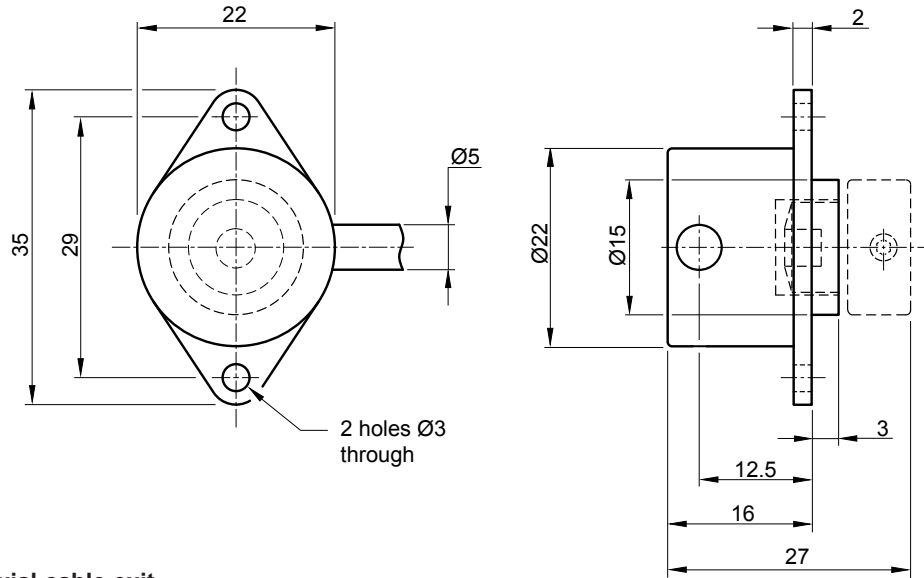


Dimensions RM22 rotary encoder

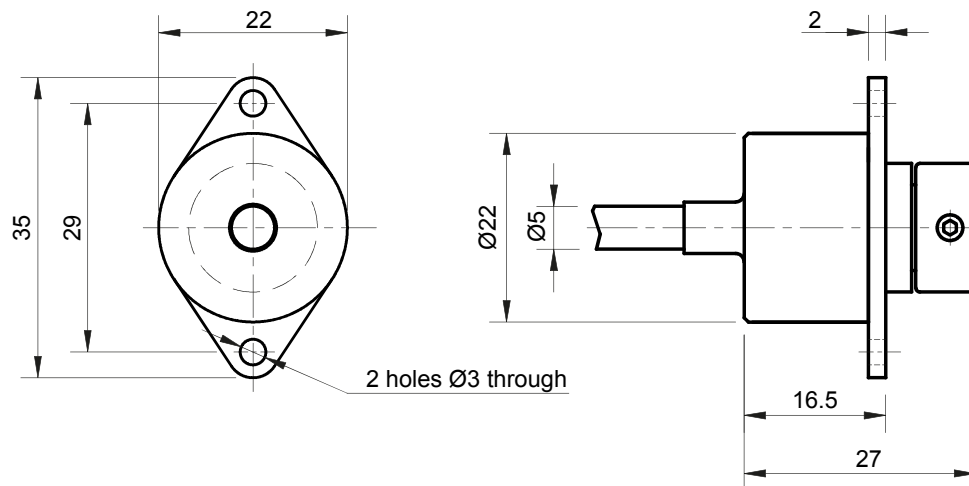


Dimensions and tolerances in mm.

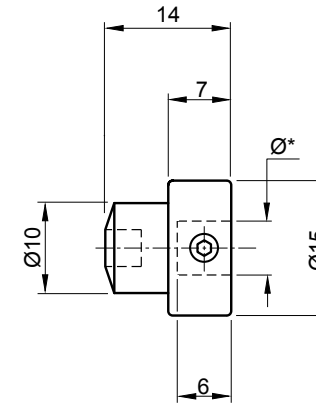
Radial cable exit



Axial cable exit



Magnetic actuator



* Hole diameter for nominal shaft size.