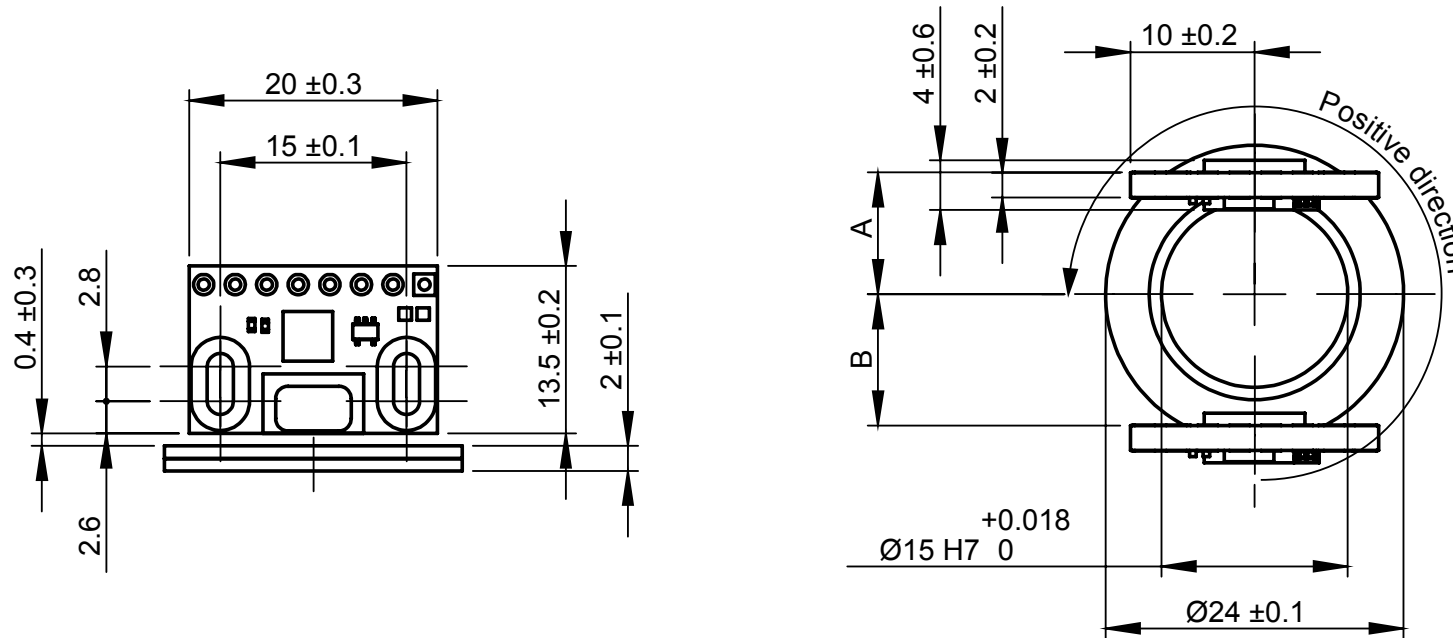


Dimensions and installation drawing MR024C axial ring for RLC2IC



Dimensions and installation tolerance in mm.



Mounting options	CCW (+) ring rotation
A	12.6 ± 0.2 mm positive counting
B	7.8 ± 0.2 mm negative counting