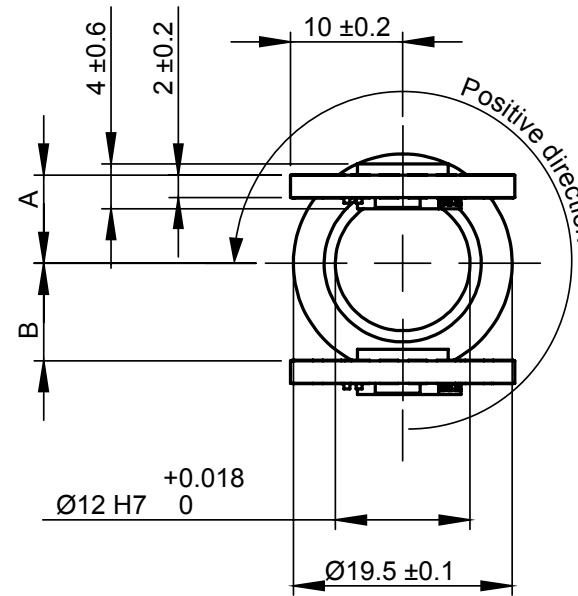
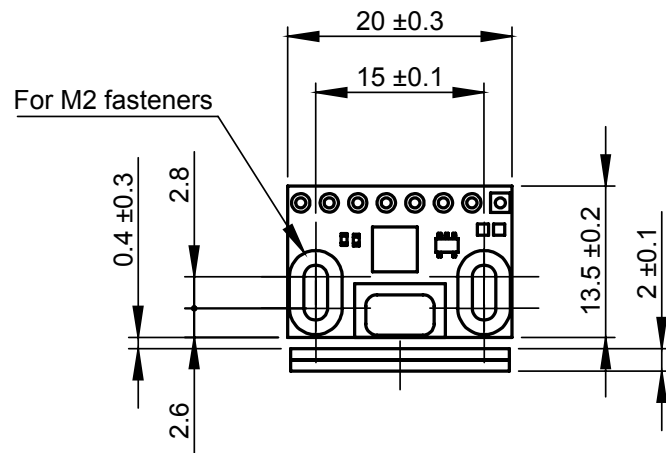


# Dimensions and installation drawing MR020C axial ring for RLC2IC



Dimensions and installation tolerance in mm.



Mounting options	CCW (+) ring rotation
A	7.9 ±0.2 mm positive counting
B	8.7 ±0.2 mm negative counting