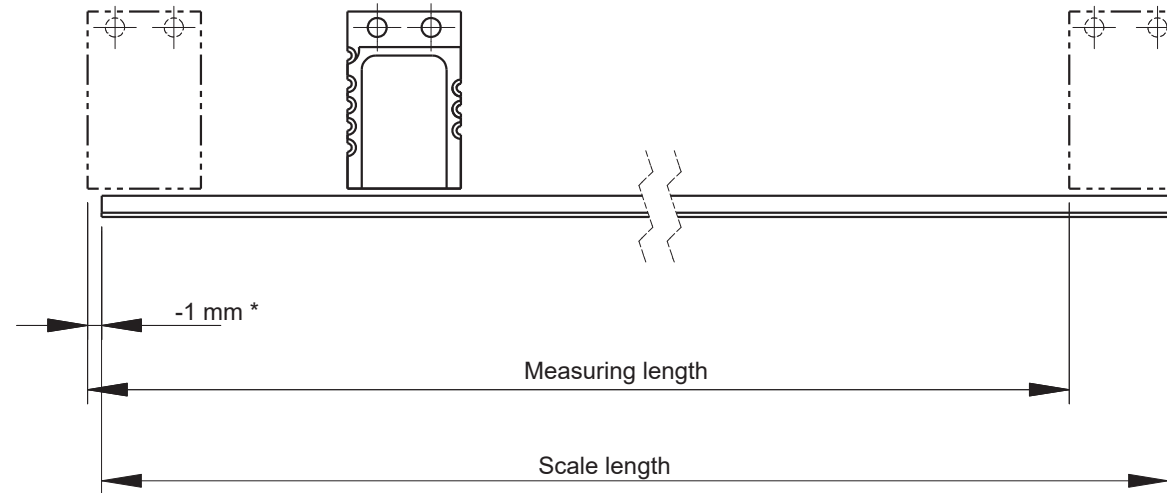


Installation drawing RLC2HD readhead with MS05 scale



Dimensions and tolerances in mm.



* Beginning of measuring length from elastoferrite layer edge (B) = -1 mm
Measuring length (C) = SL - 10 mm