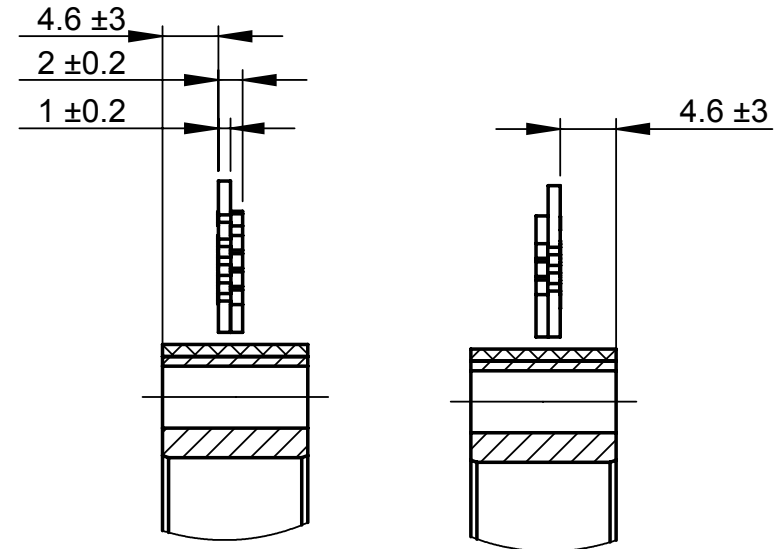
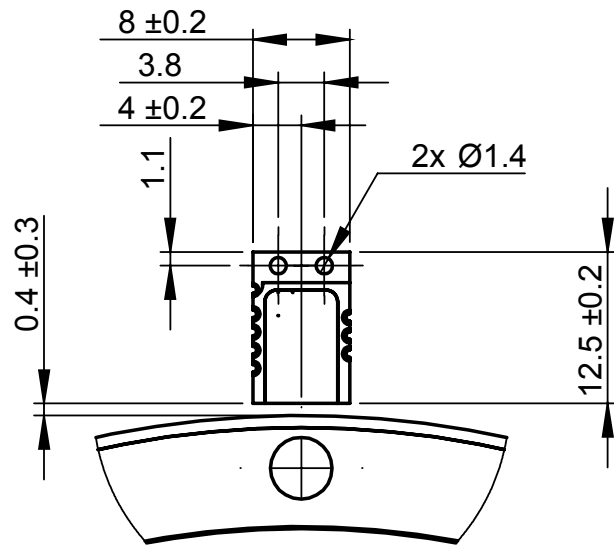


# Dimensions and installation drawing MR162Q radial ring for RLC2HD



Dimensions and installation tolerance in mm.



Mounting option A

Mounting option B