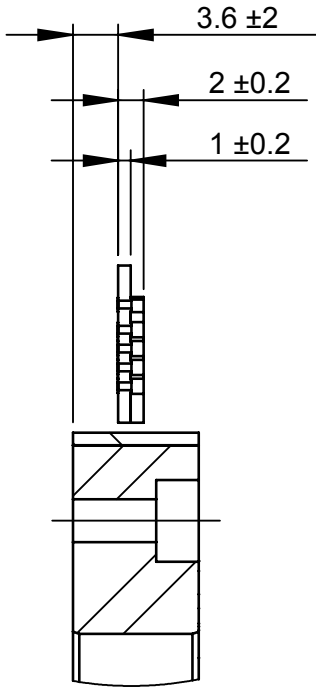
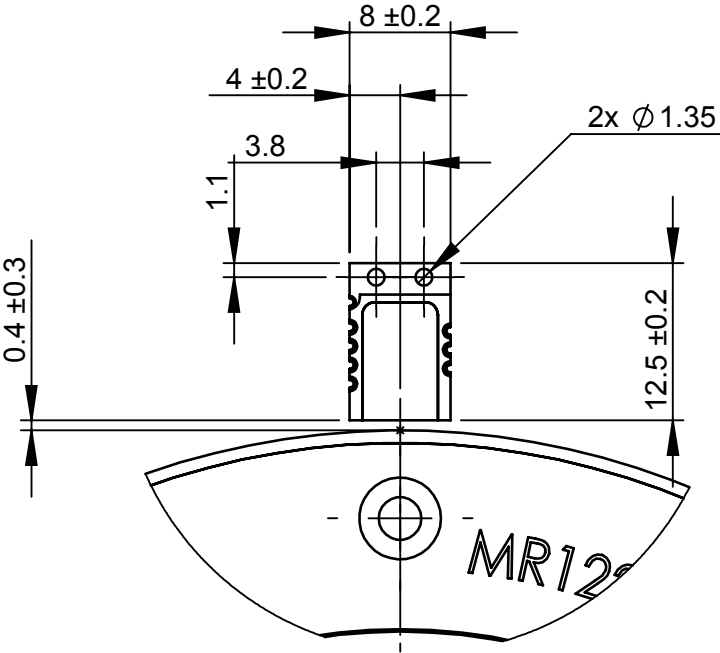
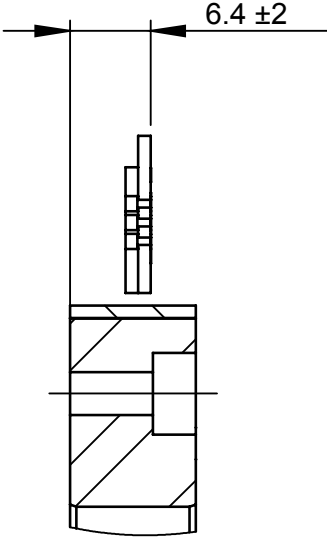


# Dimensions and installation drawing MR122E radial ring for RLC2HD

Dimensions and installation tolerance in mm.



Mounting option A



Mounting option B