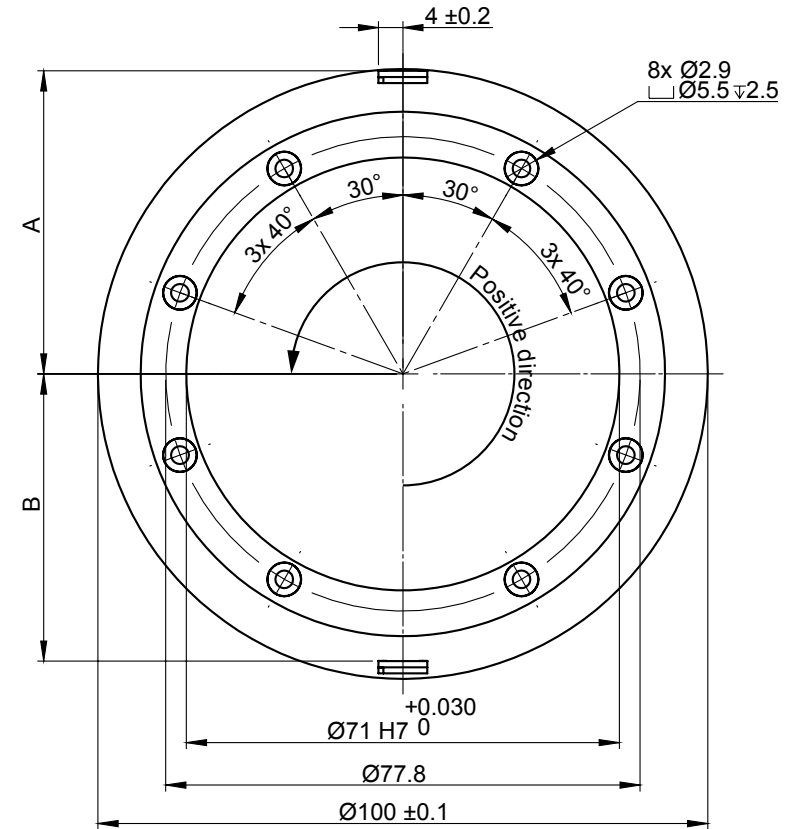
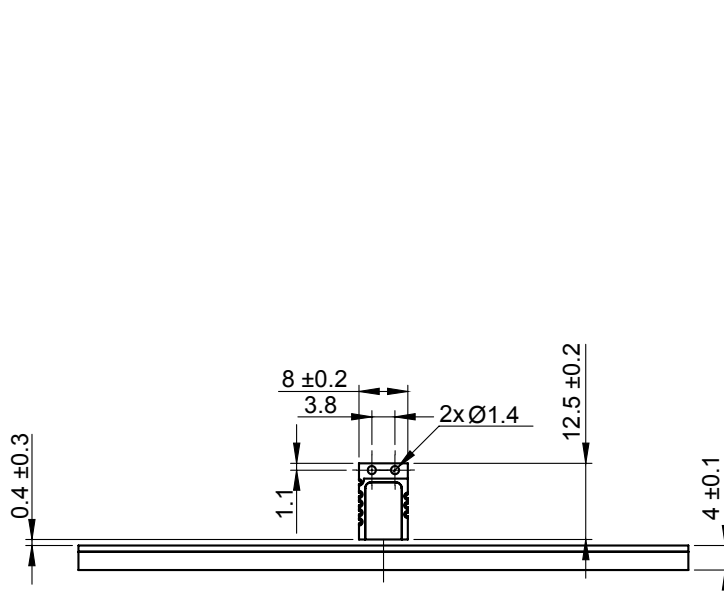


Dimensions and installation drawing MR100S axial ring for RLC2HD



Dimensions and installation tolerance in mm.



Mounting options	CCW (+) ring rotation
A 49.7 ±0.2 mm	positive counting
B 47.1 ±0.2 mm	negative counting