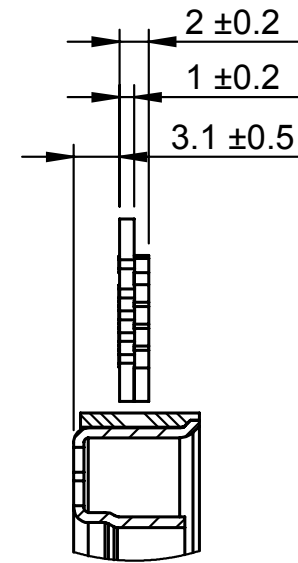
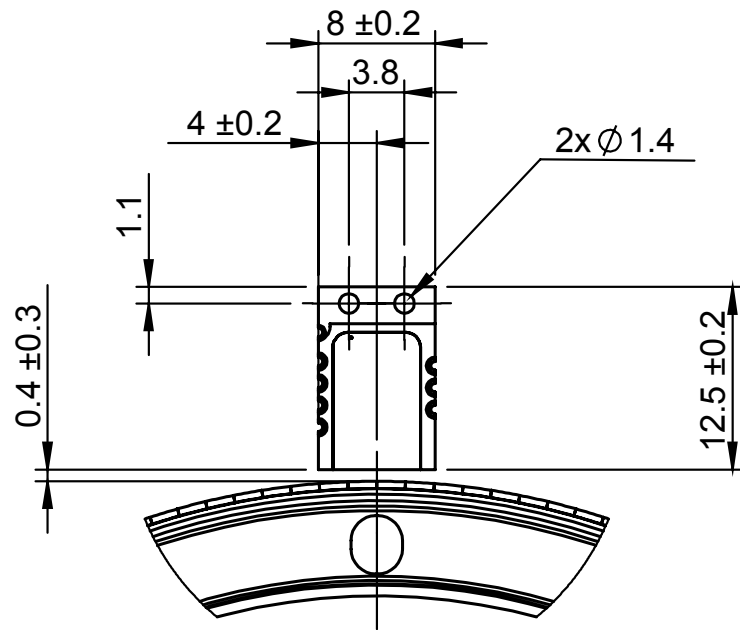
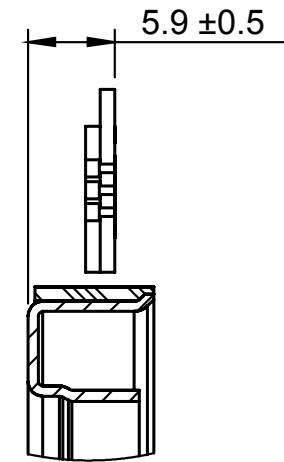


Dimensions and installation drawing MR100F radial ring for RLC2HD

Dimensions and installation tolerance in mm.



Mounting option A



Mounting option B