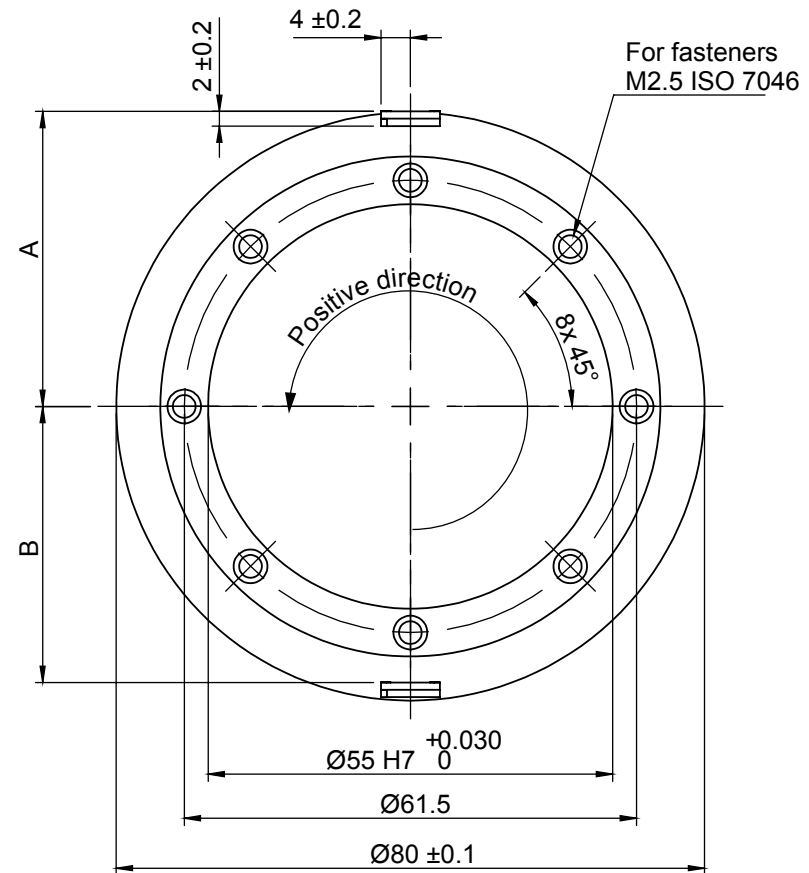
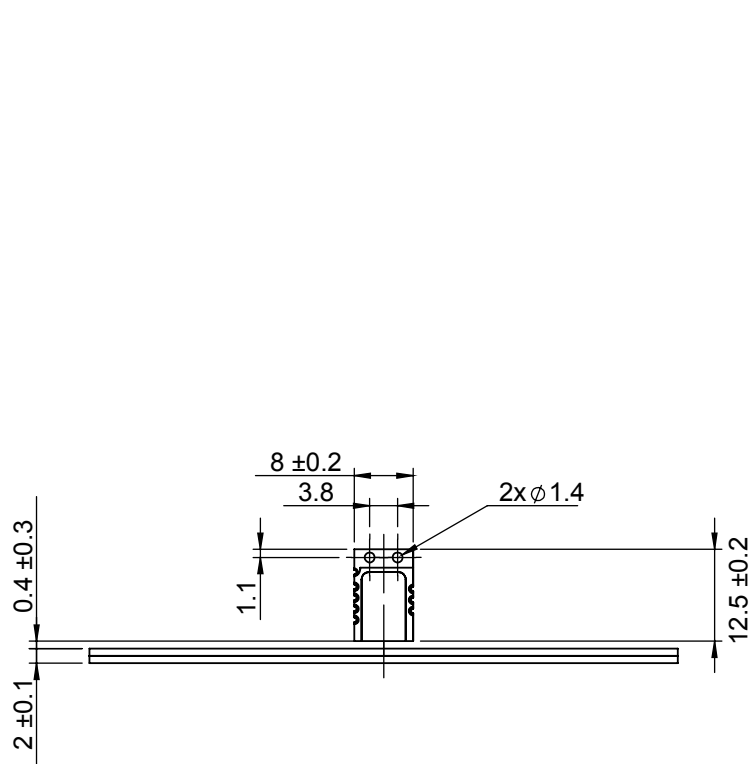


Dimensions and installation drawing MR080N axial ring for RLC2HD



Dimensions and installation tolerance in mm.



Mounting options	CCW (+) ring rotation	
A	40.1 ± 0.2 mm	positive counting
B	38.5 ± 0.2 mm	negative counting