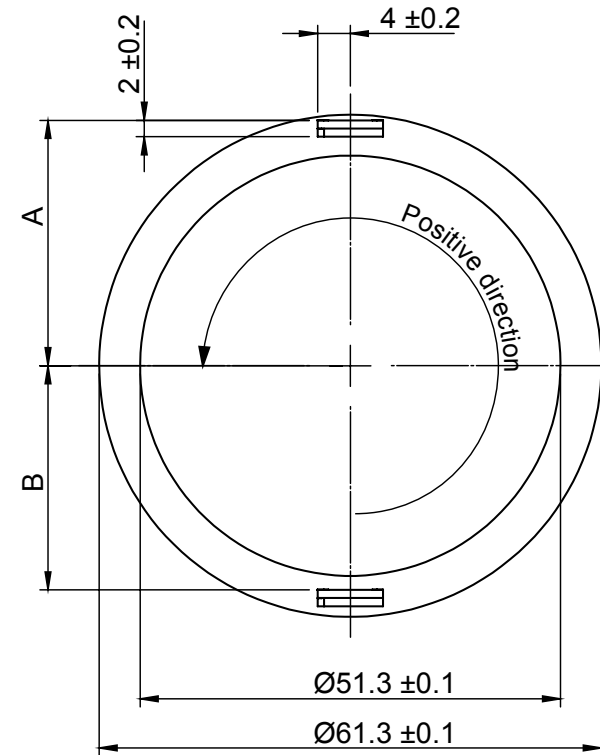
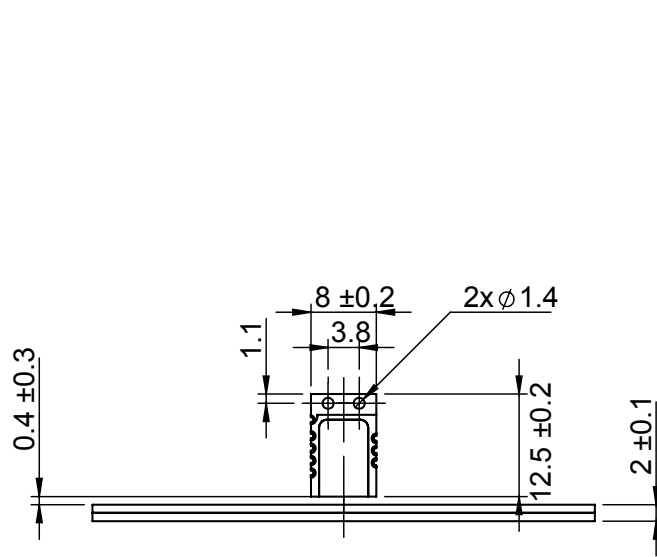


Dimensions and installation drawing MR061C axial ring for RLC2HD



Dimensions and installation tolerance in mm.



Mounting options		CCW (+) ring rotation
A	90 poles	30.0 ± 0.2 mm positive counting
	92 poles	30.6 ± 0.2 mm positive counting
B	90 poles	27.4 ± 0.2 mm negative counting
	92 poles	28.0 ± 0.2 mm negative counting