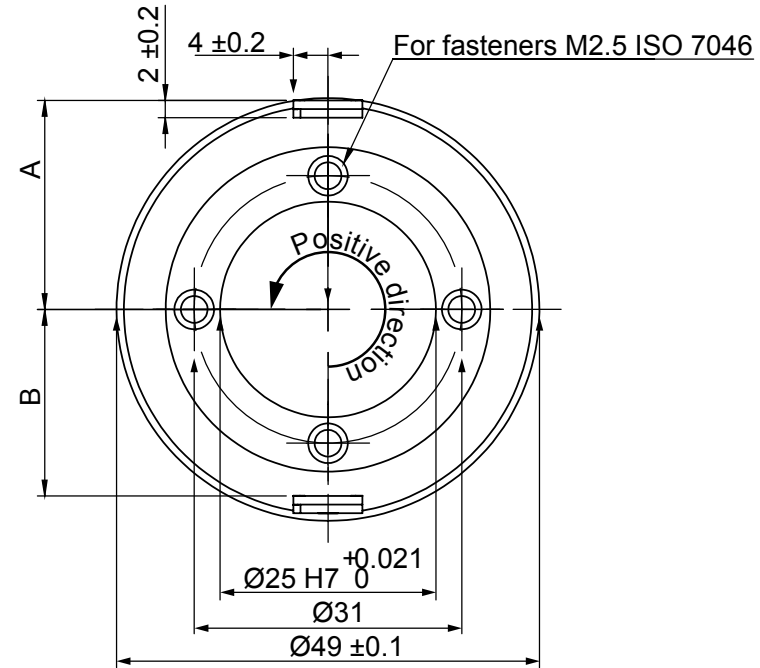
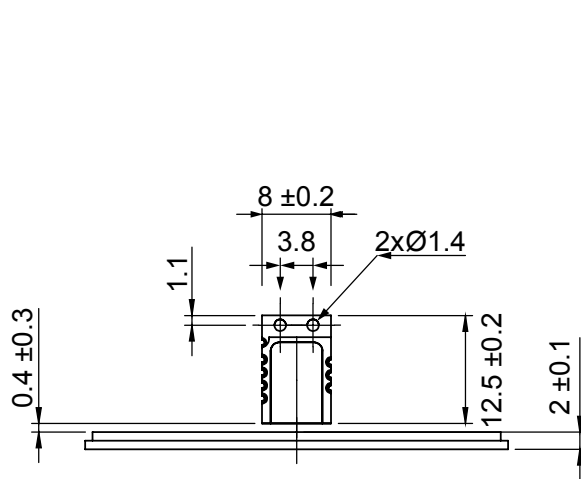


# Dimensions and installation drawing MR049N axial ring for RLC2HD



Dimensions and installation tolerance in mm.



Mounting options	CCW (+) ring rotation
<b>A</b>	24.2 ±0.2 mm positive counting
<b>B</b>	21.6 ±0.2 mm negative counting