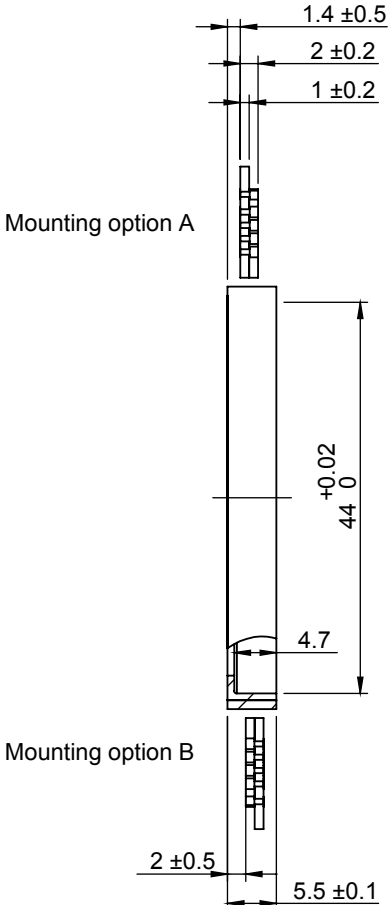
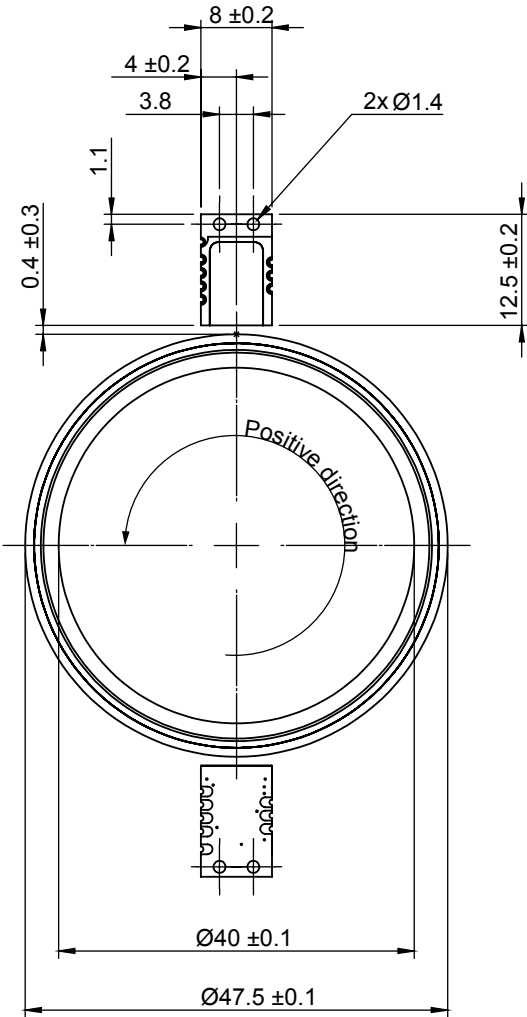


# Dimensions and installation drawing MR047B radial ring for RLC2HD

Dimensions and installation tolerance in mm.



CCW (+) ring rotation	
Mounting A	positive counting
Mounting B	negative counting