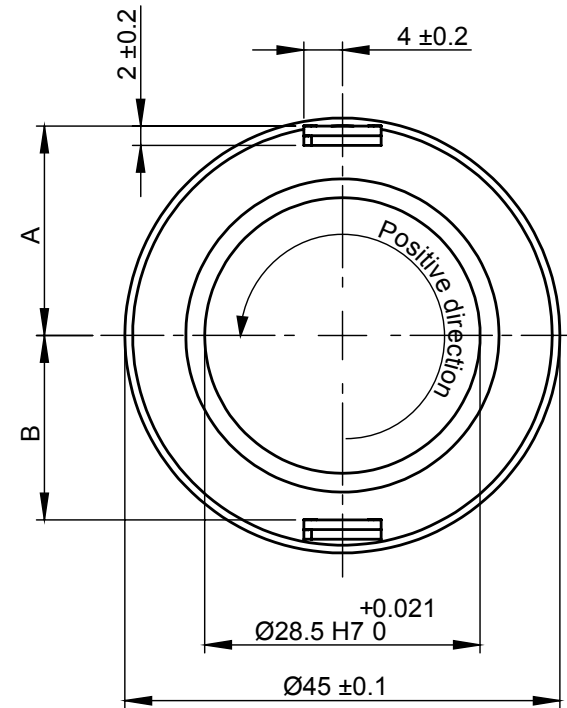
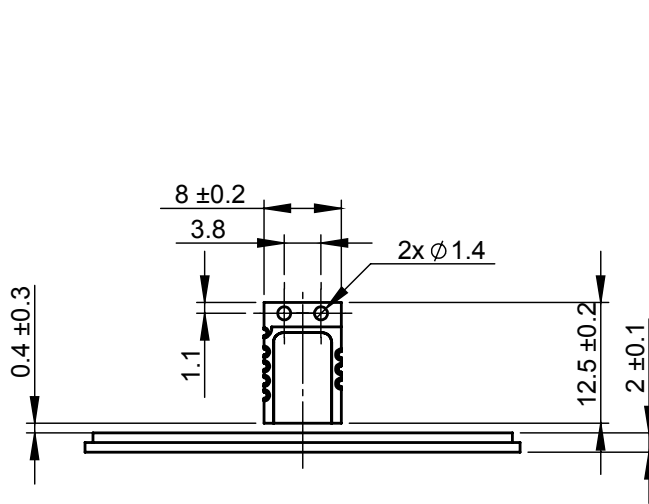


# Dimensions and installation drawing MR045C axial ring for RLC2HD



Dimensions and installation tolerance in mm.



Mounting options	CCW (+) ring rotation
A	21.7 ± 0.2 mm positive counting
B	19.1 ± 0.2 mm negative counting