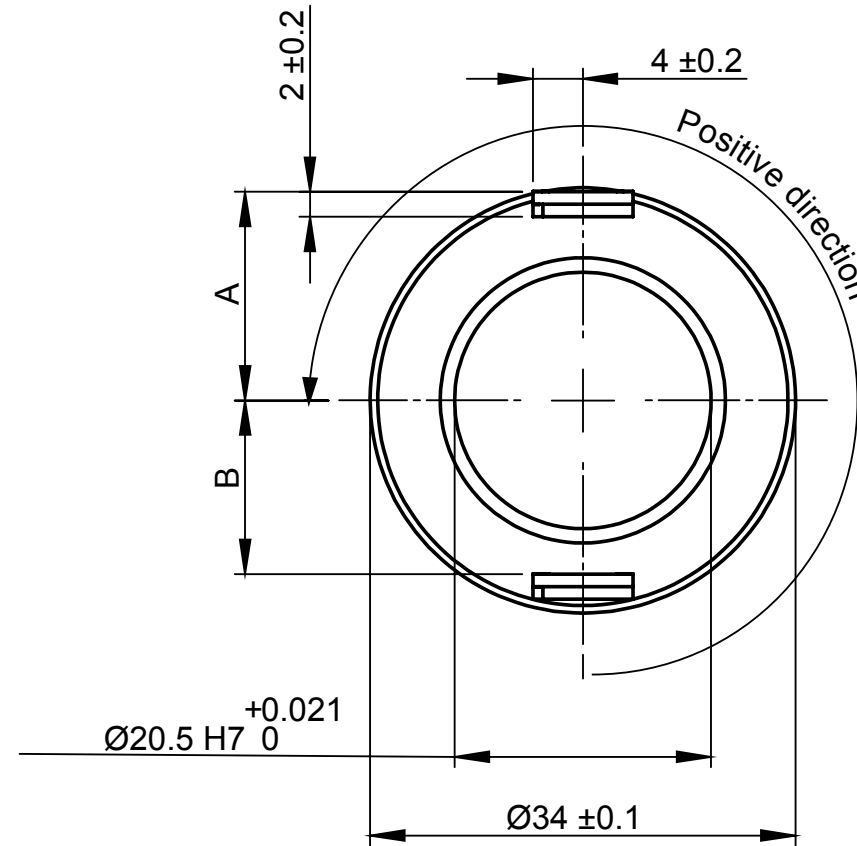
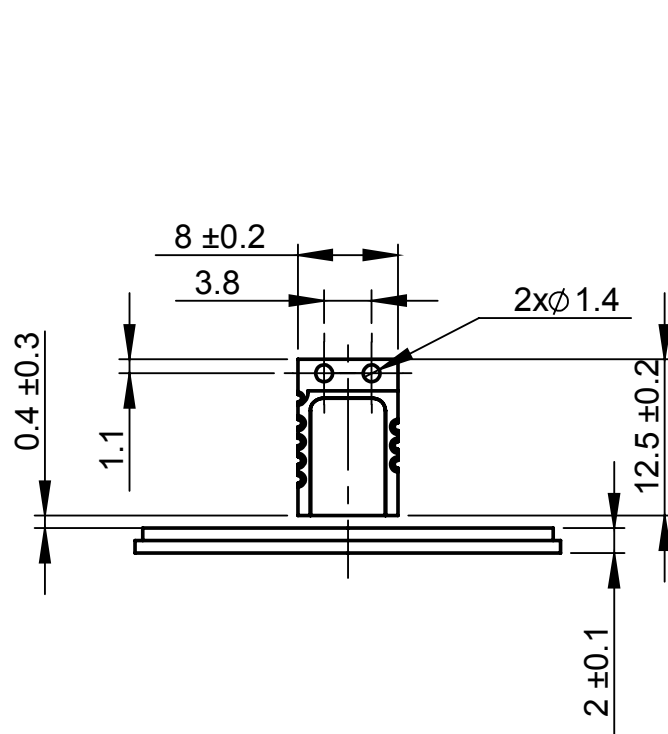


Dimensions and installation drawing MR034C axial ring for RLC2HD



Dimensions and installation tolerance in mm.



Mounting options	CCW (+) ring rotation
A	16.7 ± 0.2 mm positive counting
B	13.9 ± 0.2 mm negative counting