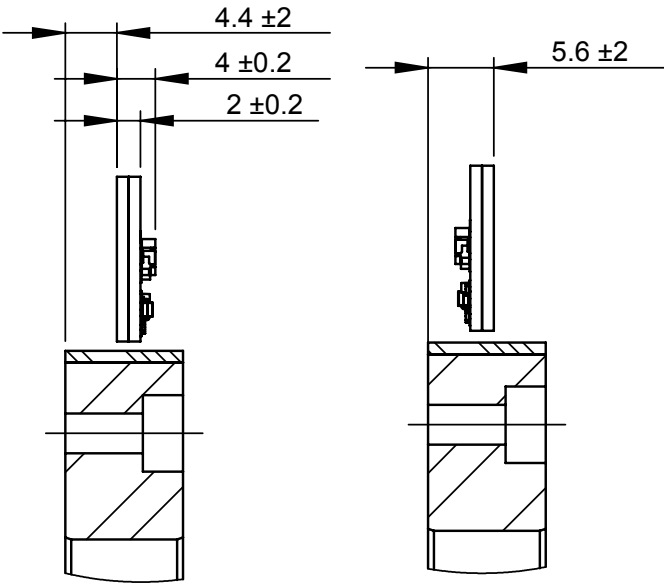
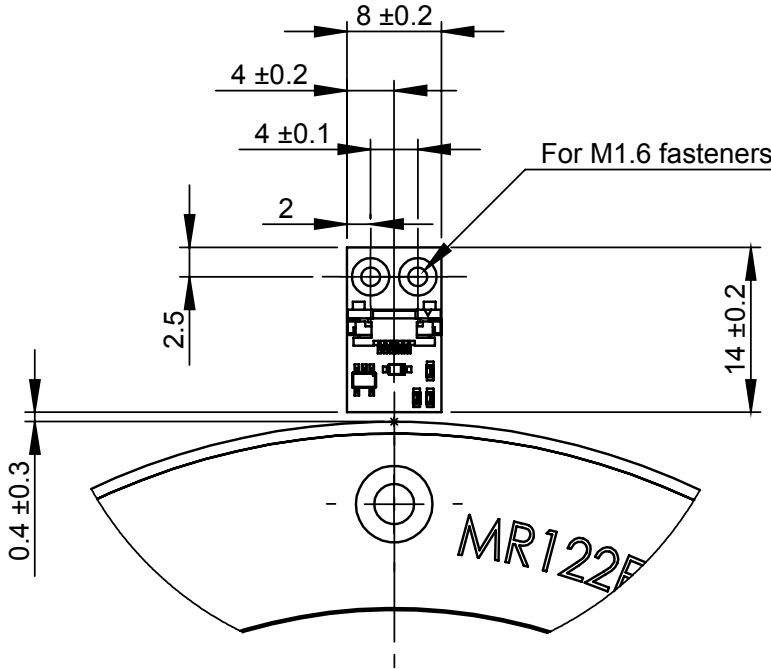


Dimensions and installation drawing MR122E radial ring for RLB

Dimensions and installation tolerance in mm.



Mounting option A

Mounting option B