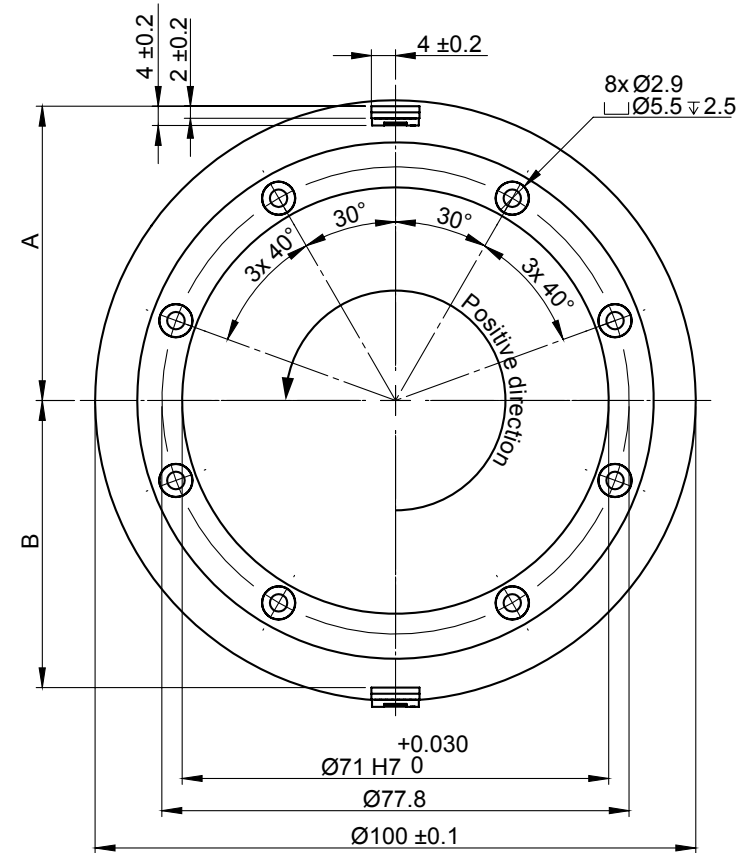
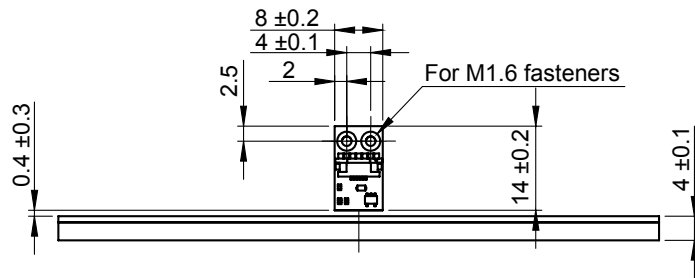


Dimensions and installation drawing MR100S axial ring for RLB



Dimensions and installation tolerance in mm.



Mounting options	CCW (+) ring rotation
A	49 ± 0.2 mm positive counting
B	47.8 ± 0.2 mm negative counting