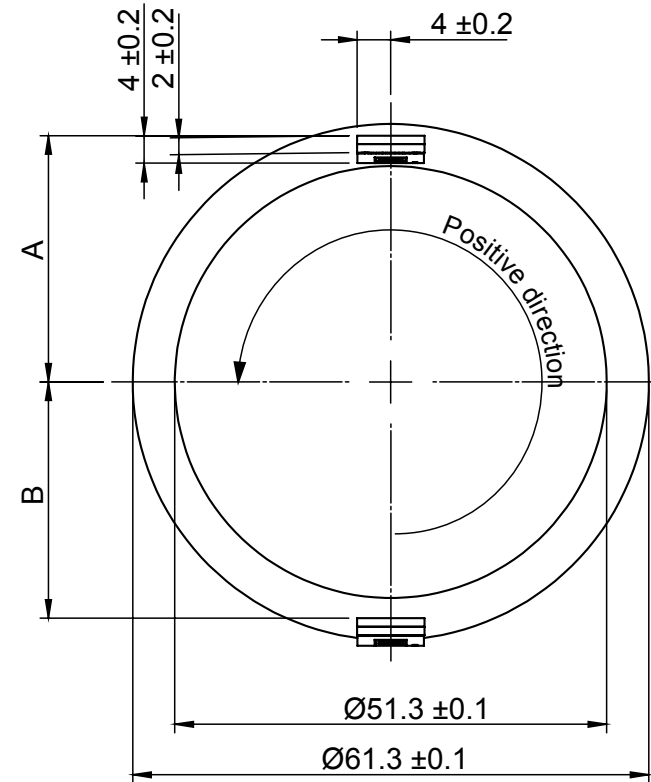
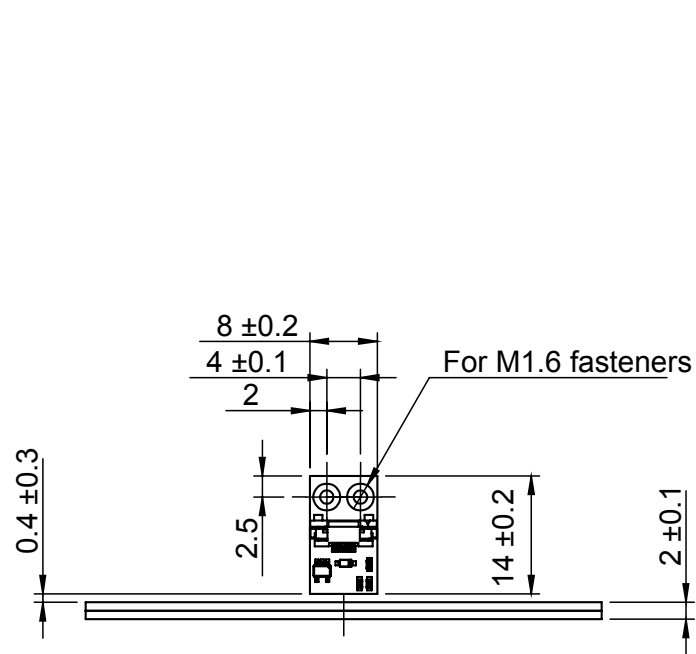


Dimensions and installation drawing MR061C axial ring for RLB



Dimensions and installation tolerance in mm.



| Mounting options | | CCW (+) ring rotation |
|------------------|----------|--------------------------------|
| A | 90 poles | 29.3 ±0.2 mm positive counting |
| | 92 poles | 29.9 ±0.2 mm positive counting |
| B | 90 poles | 28.1 ±0.2 mm negative counting |
| | 92 poles | 28.7 ±0.2 mm negative counting |