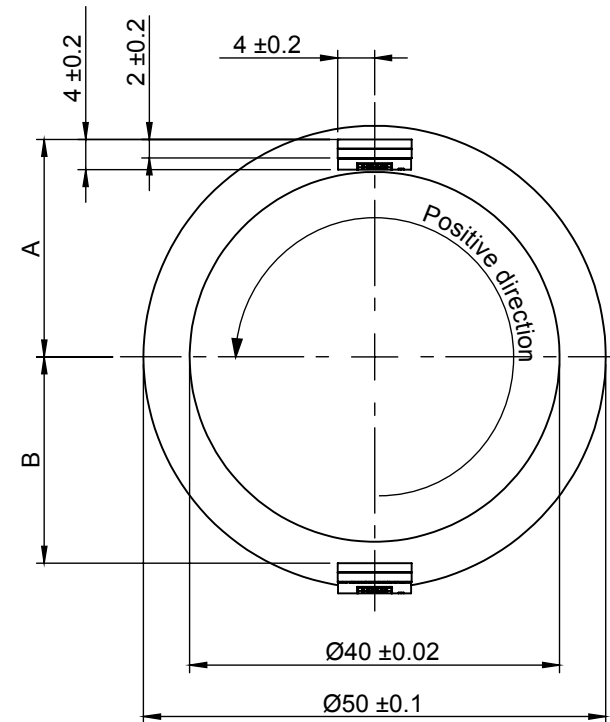
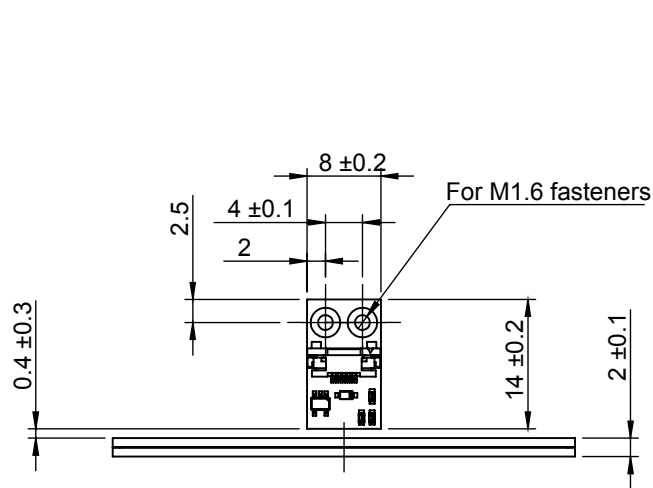


# Dimensions and installation drawing MR050C axial ring for RLB



Dimensions and installation tolerance in mm.



Mounting options		CCW (+) ring rotation
<b>A</b>	23.5 ± 0.2 mm	positive counting
<b>B</b>	22.3 ± 0.2 mm	negative counting