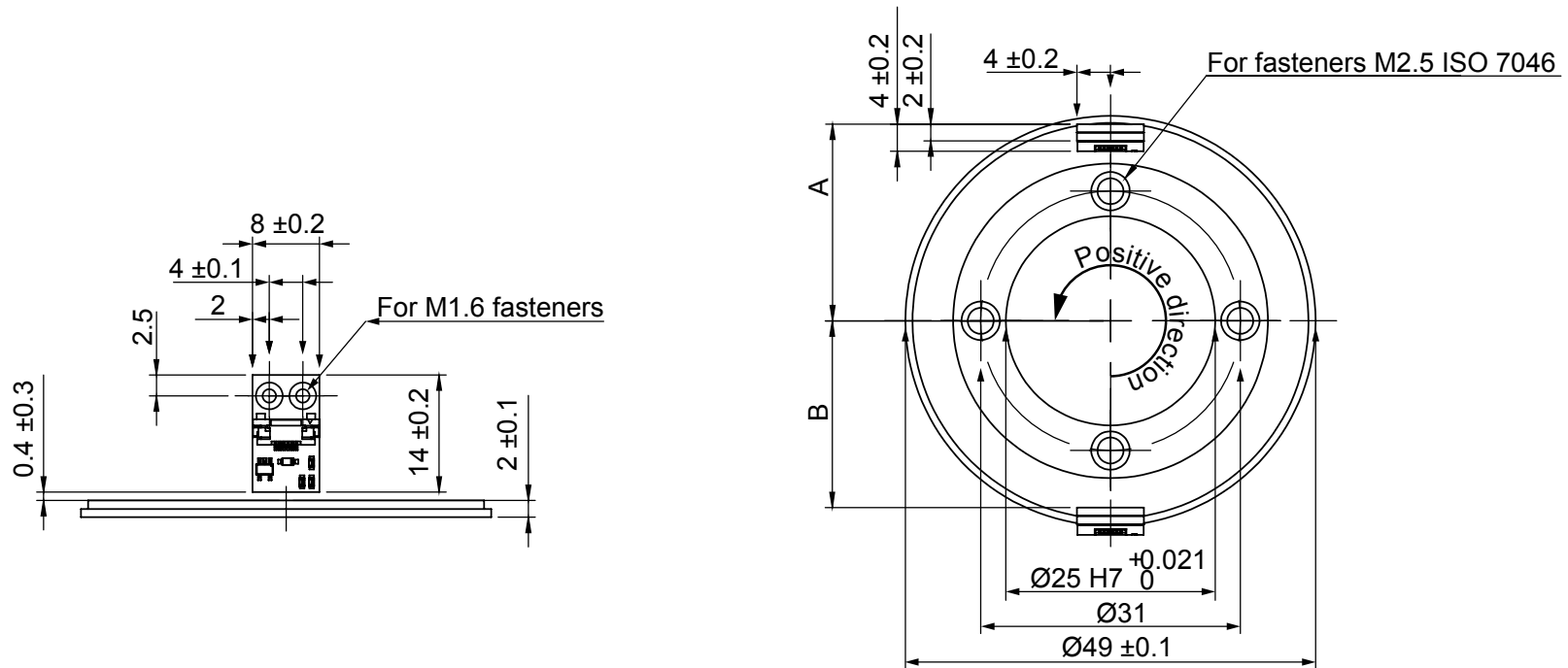


Dimensions and installation drawing MR049N axial ring for RLB



Dimensions and installation tolerance in mm.



Mounting options	CCW (+) ring rotation
A	23.5 ± 0.2 mm positive counting
B	22.3 ± 0.2 mm negative counting