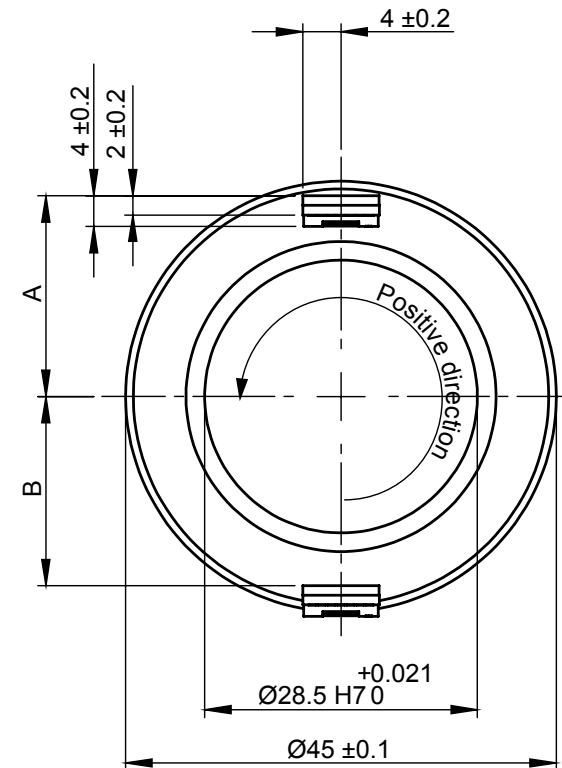
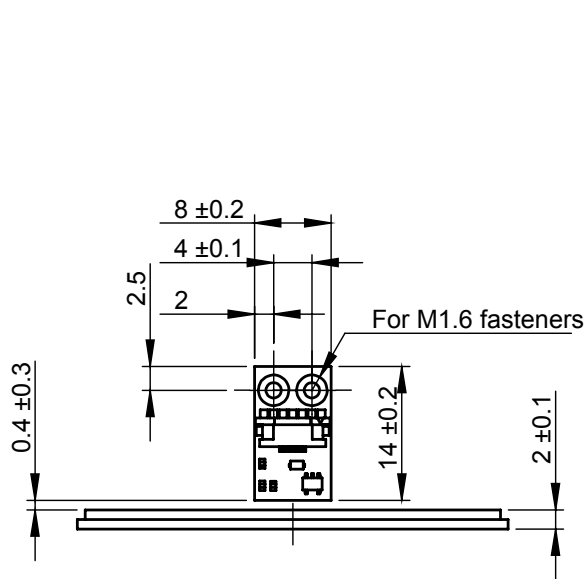


Dimensions and installation drawing MR045C axial ring for RLB



Dimensions and installation tolerance in mm.



Mounting options	CCW (+) ring rotation
A	21 \pm 0.2 mm positive counting
B	19.8 \pm 0.2 mm negative counting