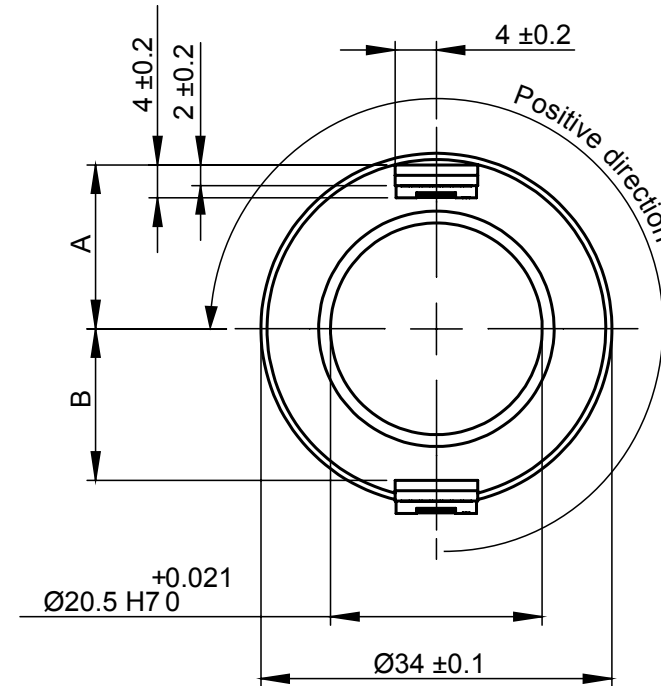
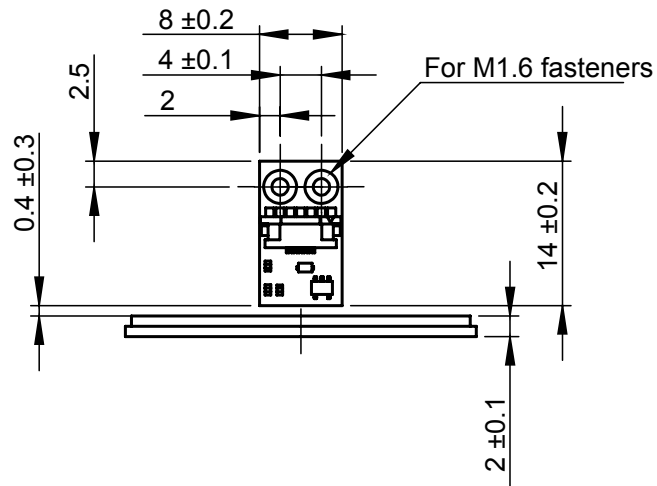


Dimensions and installation drawing MR034C axial ring for RLB



Dimensions and installation tolerance in mm.



Mounting options	CCW (+) ring rotation
A	15.9 ± 0.2 mm positive counting
B	14.7 ± 0.2 mm negative counting