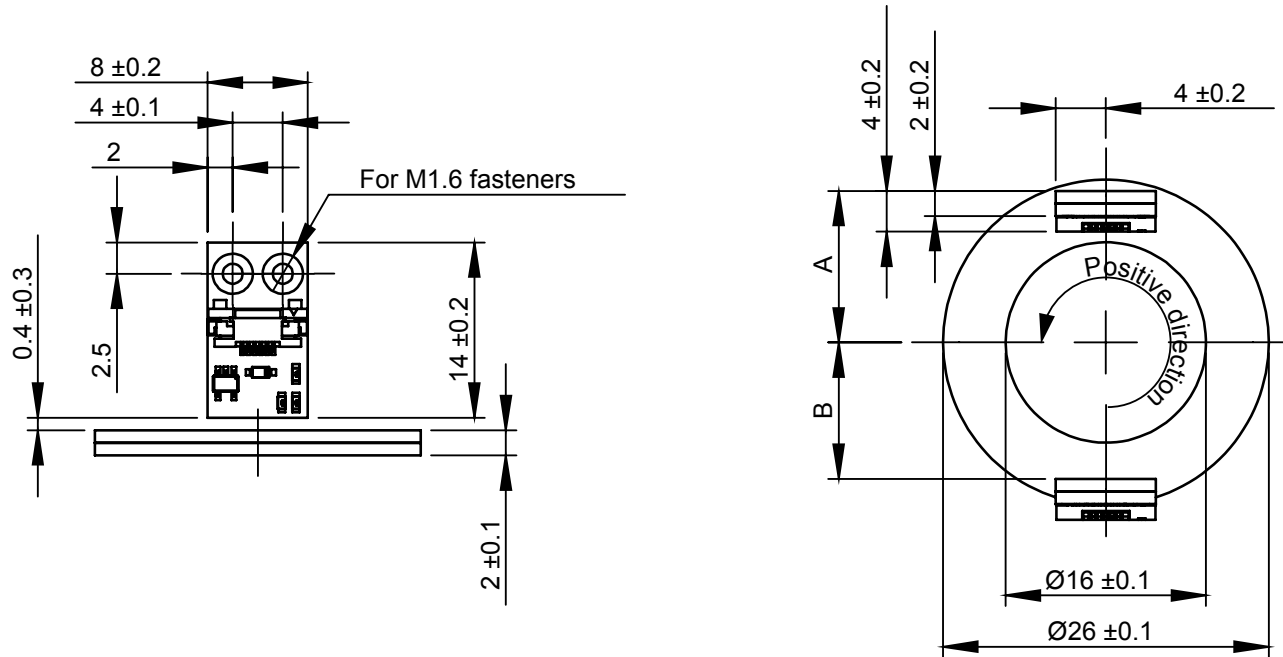


Dimensions and installation drawing MR026C axial ring for RLB



Dimensions and installation tolerance in mm.



| Mounting options | CCW (+) ring rotation |
|------------------|------------------------------------|
| A | 12.1 ± 0.2 mm positive counting |
| B | 10.9 ± 0.2 mm negative counting |