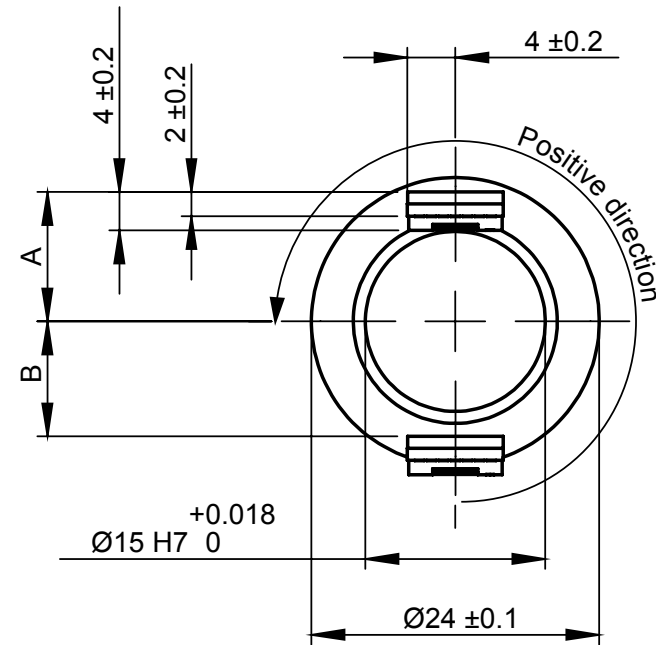
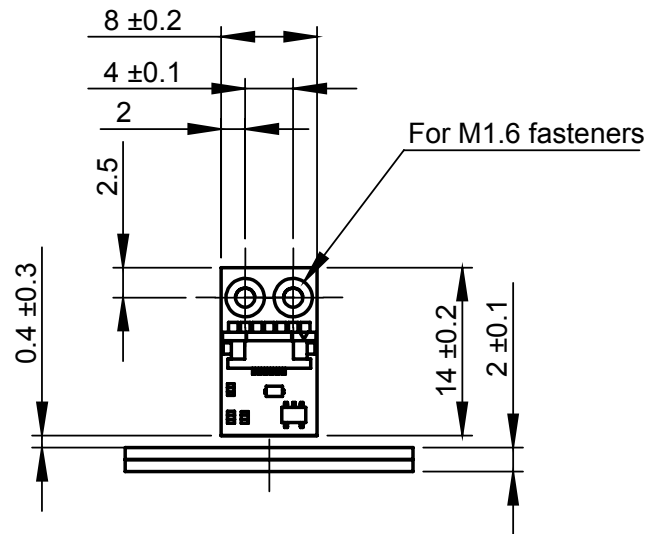


# Dimensions and installation drawing MR024C axial ring for RLB



Dimensions and installation tolerance in mm.



| Mounting options | CCW (+) ring rotation                  |
|------------------|--|
| <b>A</b>         | $10.8 \pm 0.2$ mm<br>positive counting |
| <b>B</b>         | $9.6 \pm 0.2$ mm<br>negative counting  |