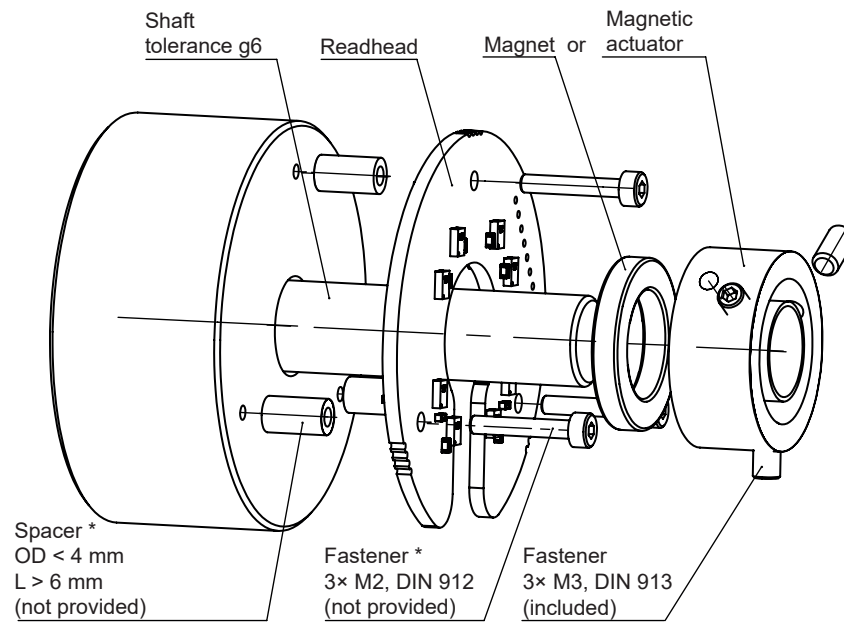
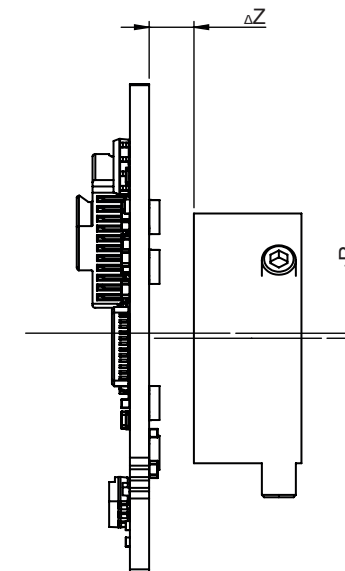


Installation drawing Orbis™ rotary encoder

Dimensions and tolerances in mm.



* Readhead should be only mounted on the golden plated surfaces around the mounting holes.



(See page 4 in BRD01_05 data sheet)