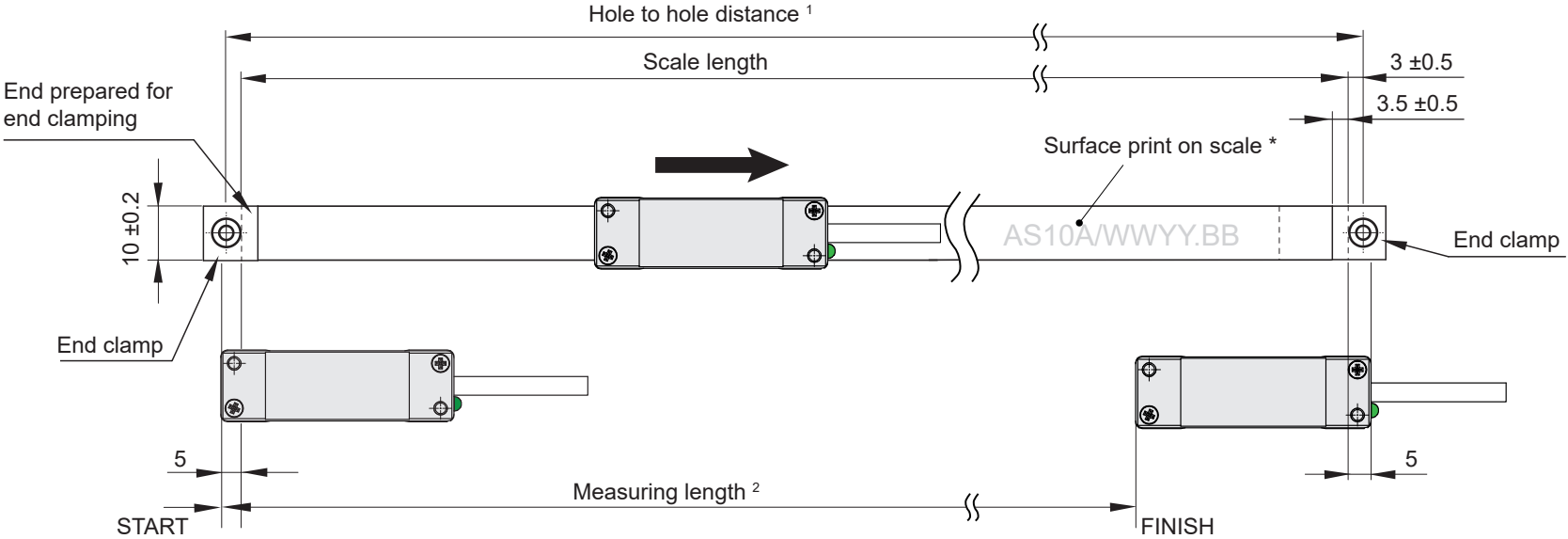


# Installation drawing LA11 readhead with AS10 scale

Dimensions and tolerances in mm.



<sup>1</sup> Hole to hole distance (for end clamp mounting) = Scale length + (6 mm ±1 mm)

<sup>2</sup> Measuring length = Scale length - 42 mm

\* Scale surface print does not represent the actual ordering code. For orientation purpose only.