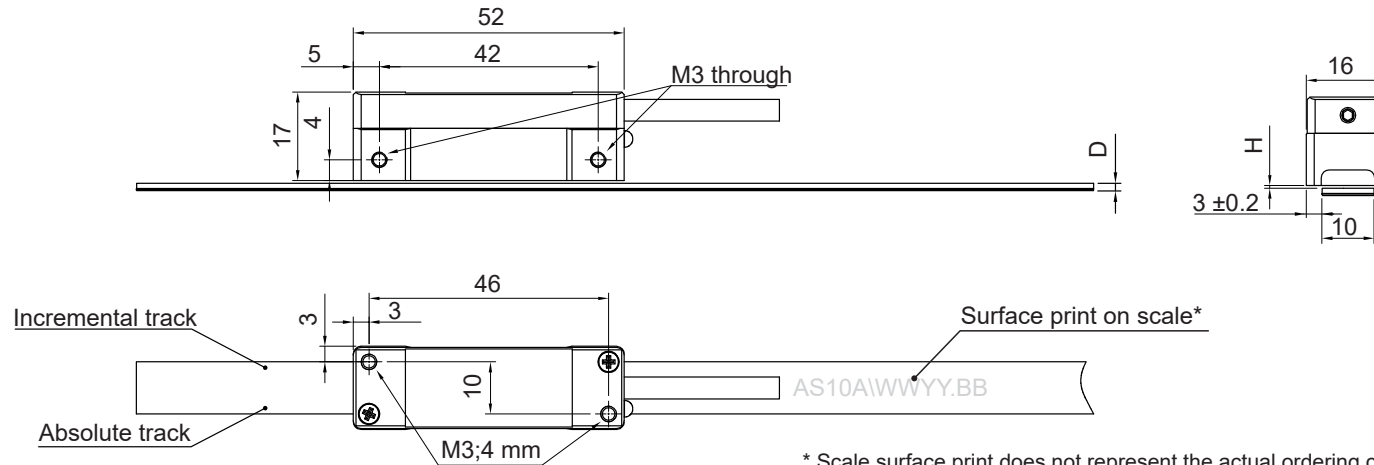


Dimensions

LA11 readhead with AS10 scale

Dimensions and tolerances in mm.



* Scale surface print does not represent the actual ordering code.
For orientation purpose only.

	Magnetic scale thickness (D)		Ride height (H)
	Standard option	Option 01**	
With back-adhesion tape	1.5 ±0.15	1.7 ±0.15	0.1 – 0.6
With back-adhesion tape, with cover foil	1.6 ±0.15	1.8 ±0.15	0.1 – 0.5
No back-adhesion tape	1.3 ±0.15	1.5 ±0.15	0.1 – 0.6
No back-adhesion tape, with cover foil	1.4 ±0.15	1.6 ±0.15	0.1 – 0.5
No back-adhesion tape, sides prepared for TRS	1.3 ±0.15	1.5 ±0.15	0.1 – 0.4
No back-adhesion tape, sides prepared for TRS, with cover foil	1.4 ±0.15	1.6 ±0.15	0.1 – 0.3