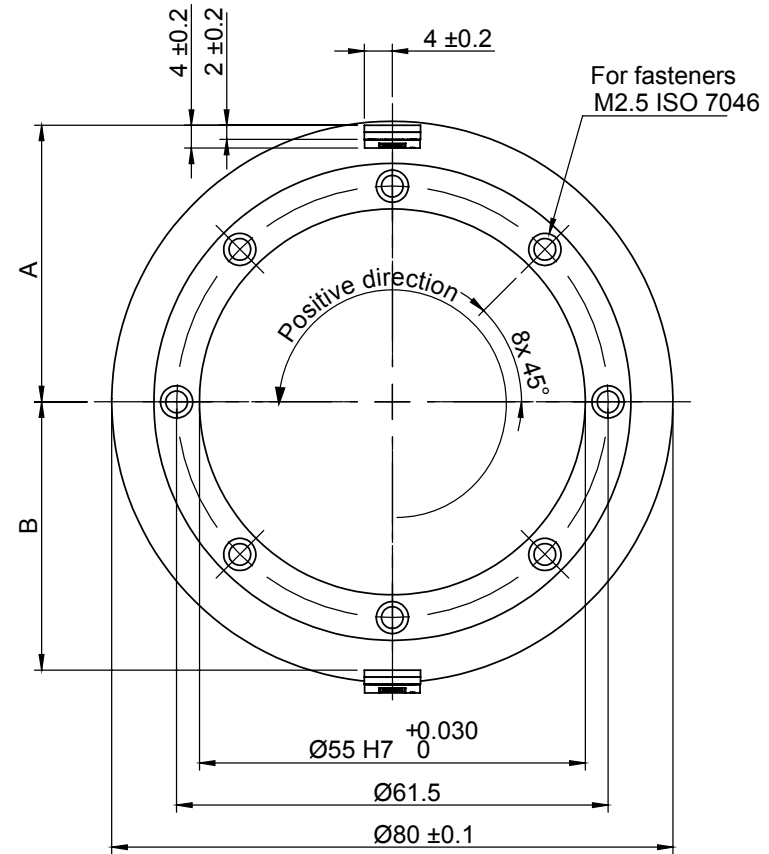
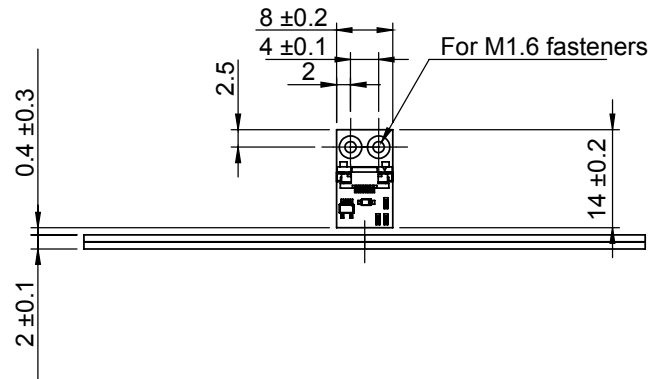


Dimensions and installation drawing MR080N axial ring for RLB



Dimensions and installation tolerance in mm.



| Mounting options | CCW (+) ring rotation | |
|------------------|-----------------------|-------------------|
| A | 39.4 ± 0.2 mm | positive counting |
| B | 38.2 ± 0.2 mm | negative counting |