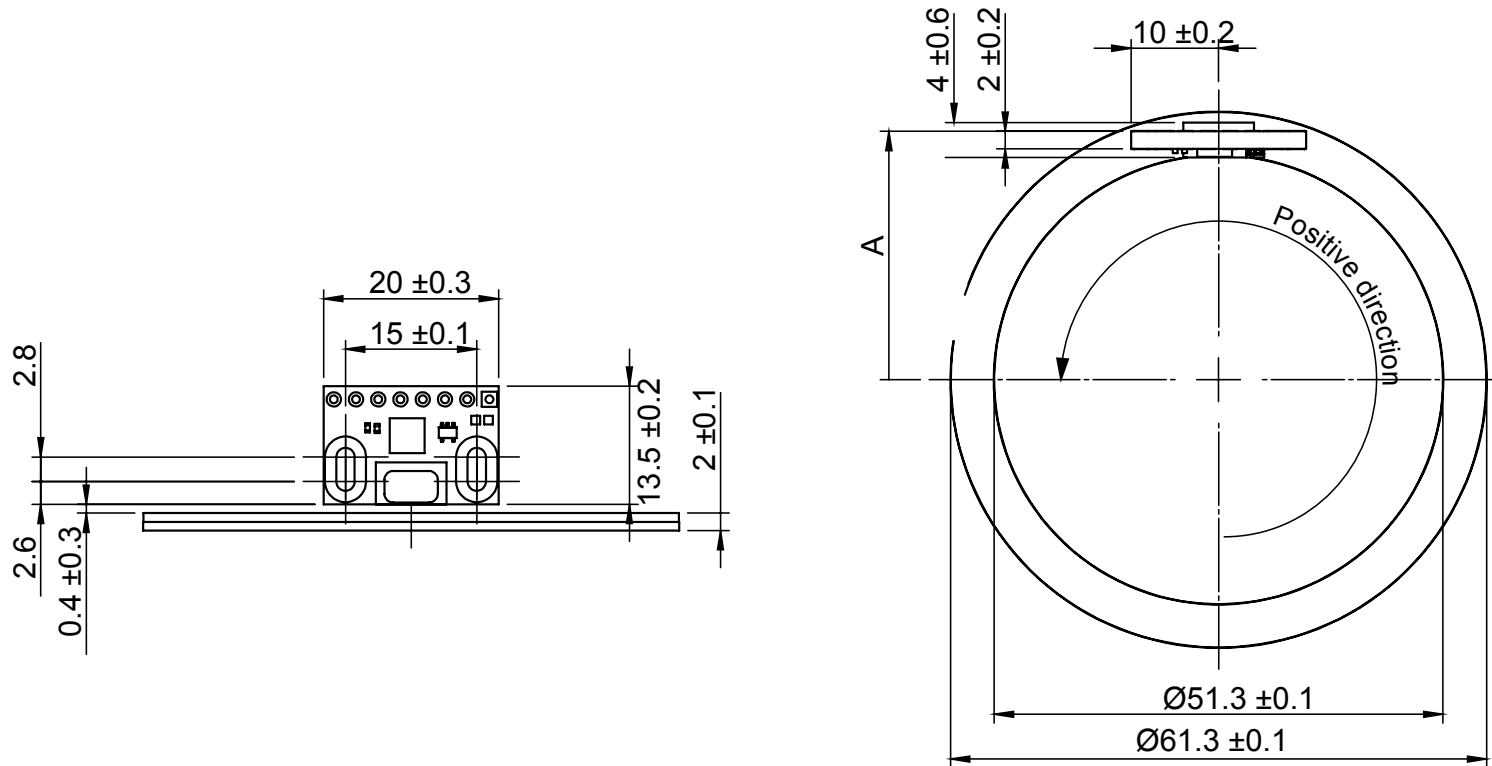


Dimensions and installation drawing MR061C axial ring for RLC2IC



Dimensions and installation tolerance in mm.



Mounting options		
A	90 poles	28.4 ± 0.2 mm
	92 poles	29.0 ± 0.2 mm