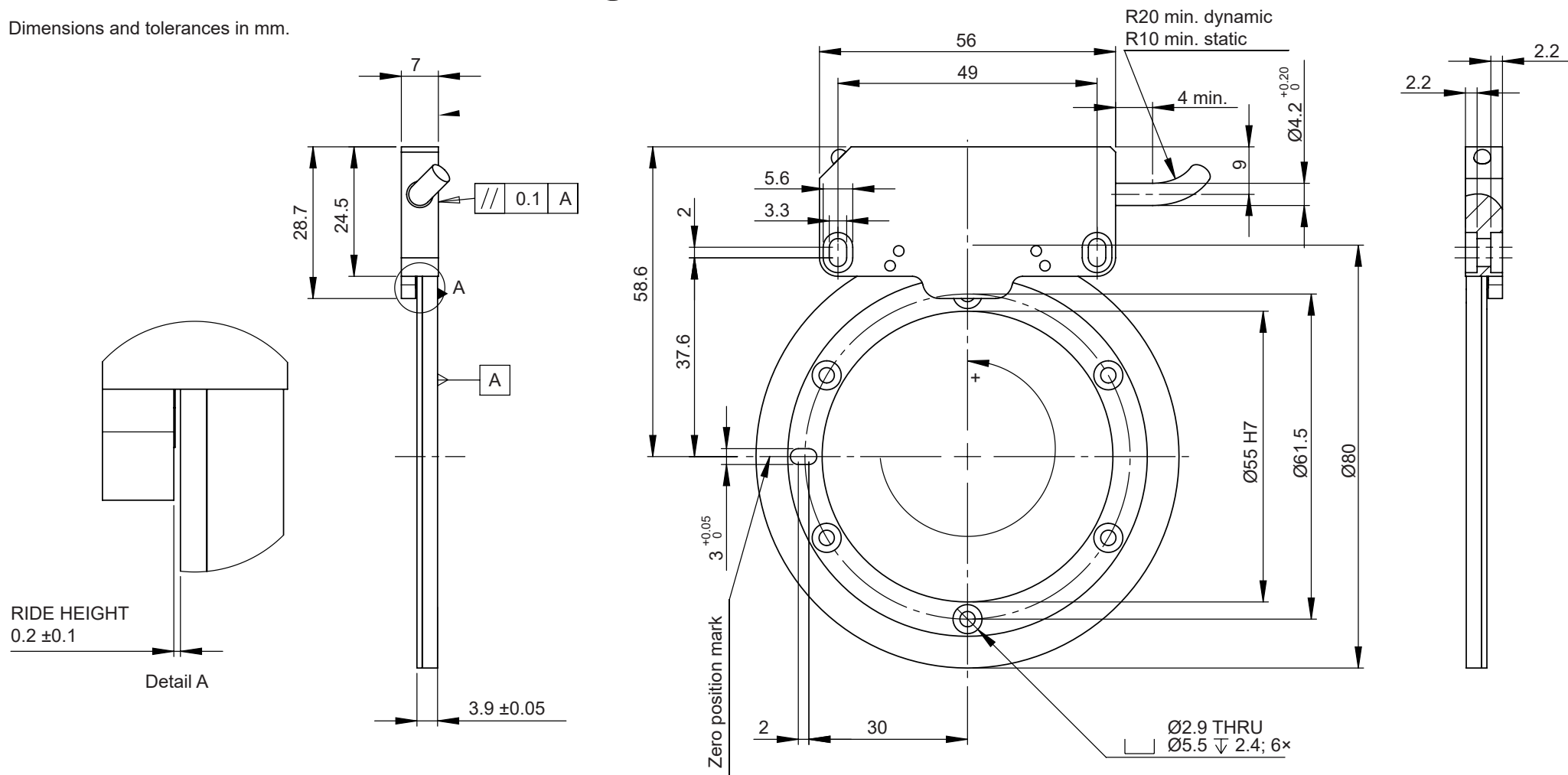


# Dimensions

## MHA8 readhead with MRA8 ring



Dimensions and tolerances in mm.



NOTE:  
CCW positive measuring direction.