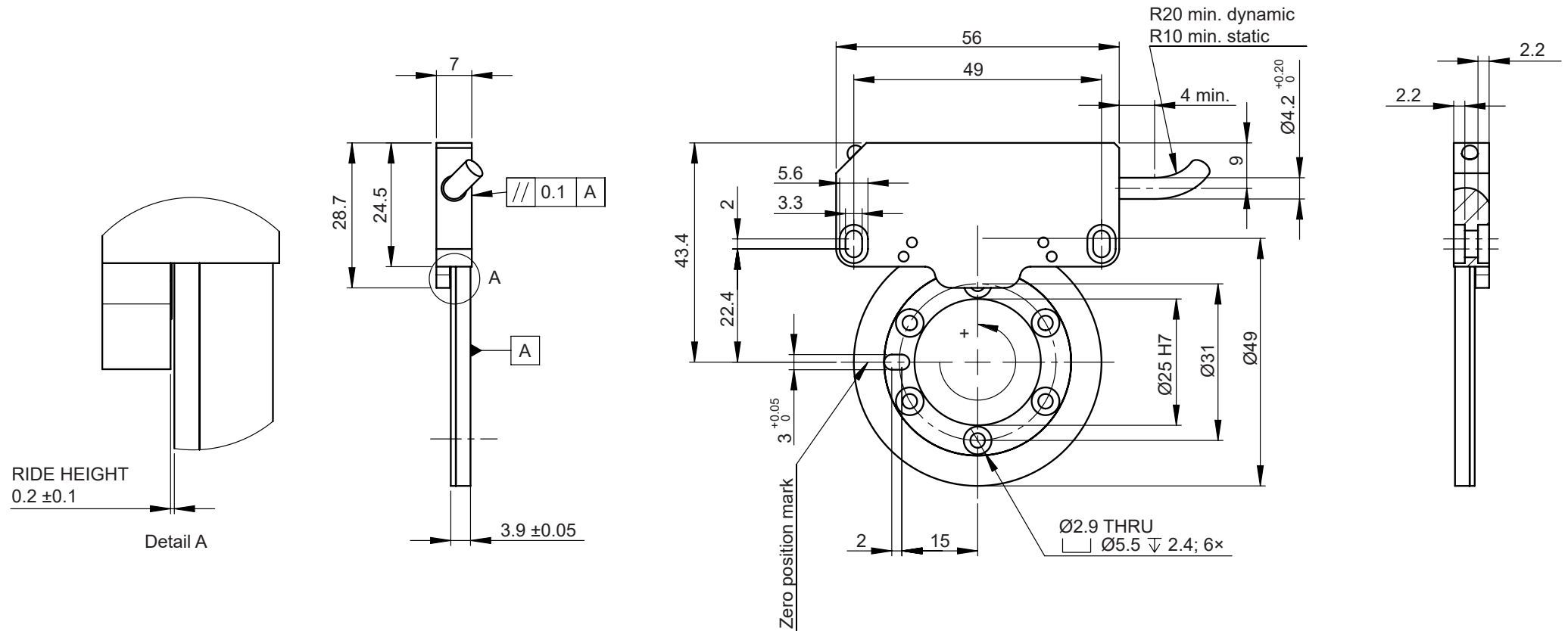


Dimensions MHA7 readhead with MRA7 ring



Dimensions and tolerances in mm.



NOTE:
CCW positive measuring direction.