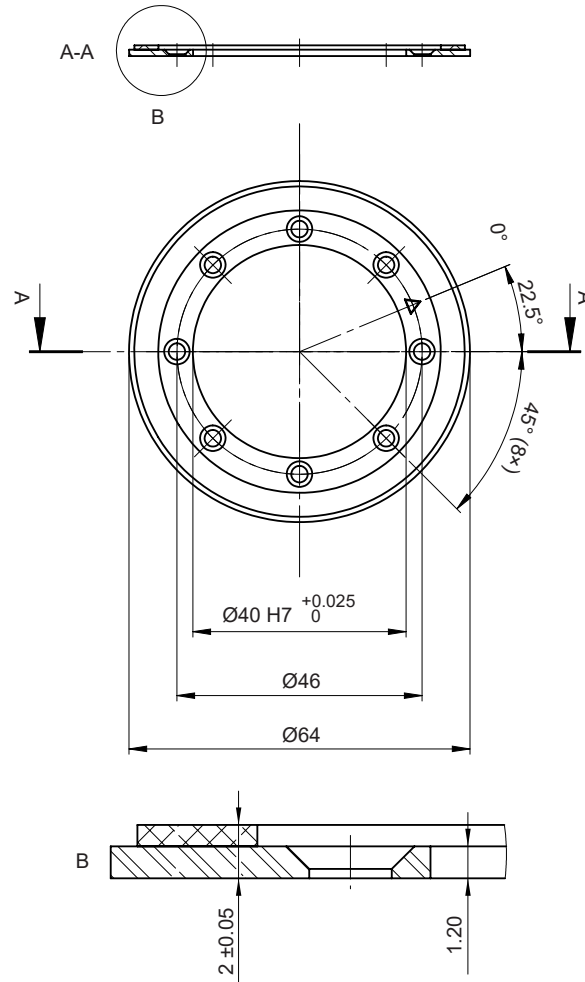


Installation drawing MRA064 ring

Dimensions and tolerances in mm.



$\varnothing 3.1$ THRU $\varnothing 4.8 \times 90^\circ$ (8x)
For fasteners M2.5 ISO 7046