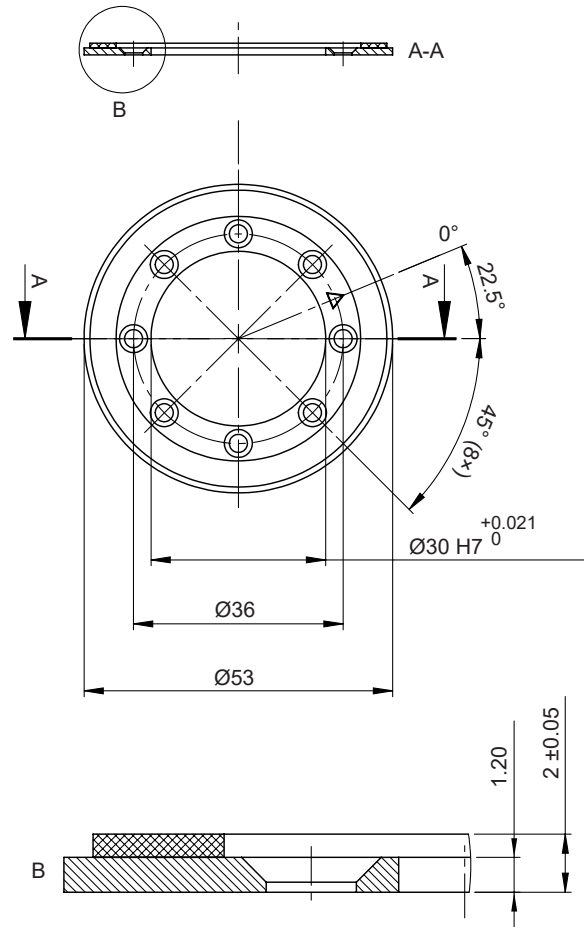


# Installation drawing MRA053 ring

Dimensions and tolerances in mm.



$\text{Ø} 3.1$  THRU  $\checkmark$   $\text{Ø}4.8 \times 90^\circ$  (8×)  
For fasteners M2.5 ISO 7046 (DIN 965)  
For ring attachment 4 fasteners are required.