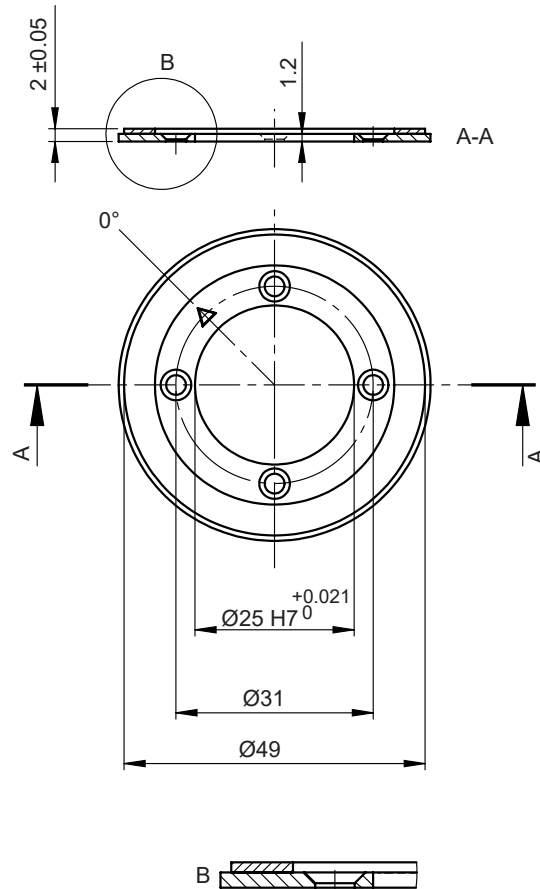


Installation drawing MRA049 ring



Dimensions and tolerances in mm.

MRA049BC025DSE00 ring with attachment holes



4 × Ø3.1 ∇ Ø4.8 × 90° for fasteners
For fasteners M2.5 × 6 ISO 7046 (DIN 965)

MRA049BG034DSN00 ring

