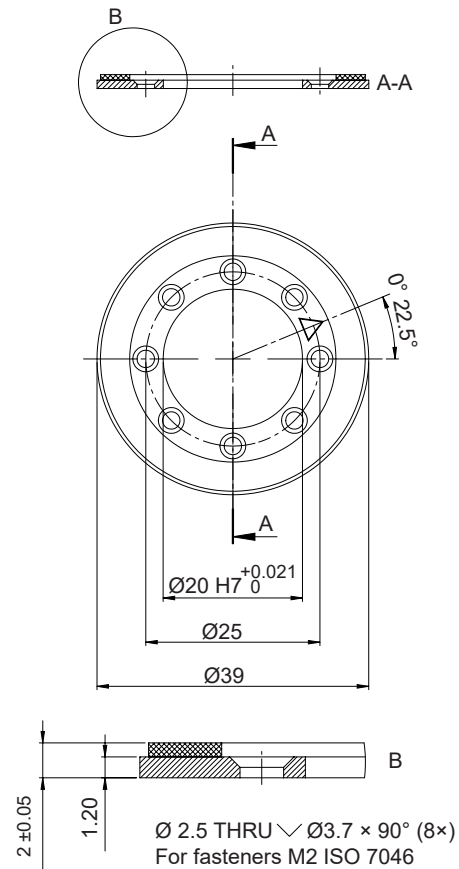


Installation drawing MRA039 ring

Dimensions and tolerances in mm.



For ring attachment 4 fasteners are required.