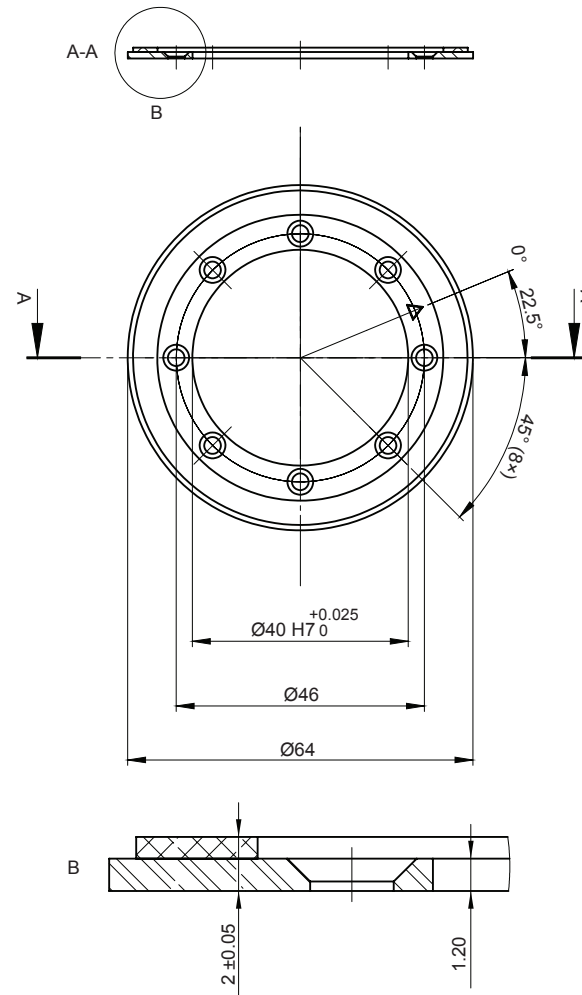
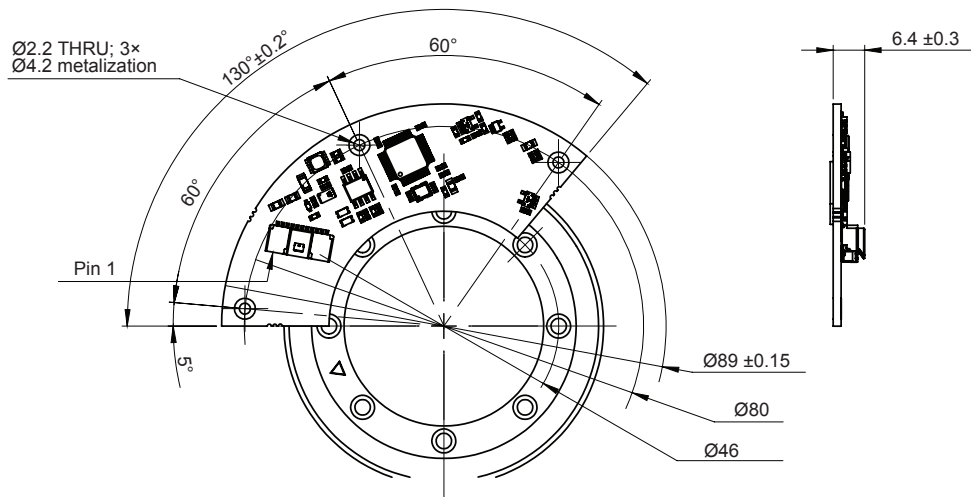


# AksIM-2 off-axis rotary absolute encoder

Readhead MB064 and MRA064 dimensions and tolerances in mm



MBAG01\_01

Issue 1, 5<sup>th</sup> February 2018

$\text{Ø}3.1$  THRU  $\text{Ø}4.8 \times 90^{\circ} (8 \times)$   
 For fastener M2.5 ISO 7046