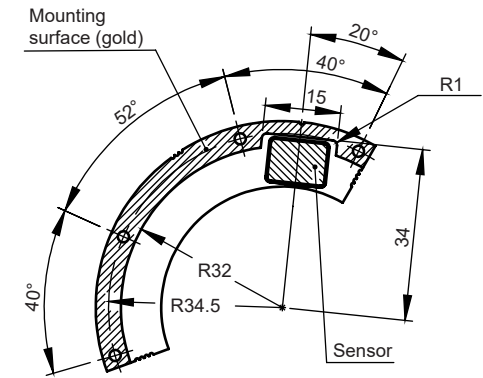
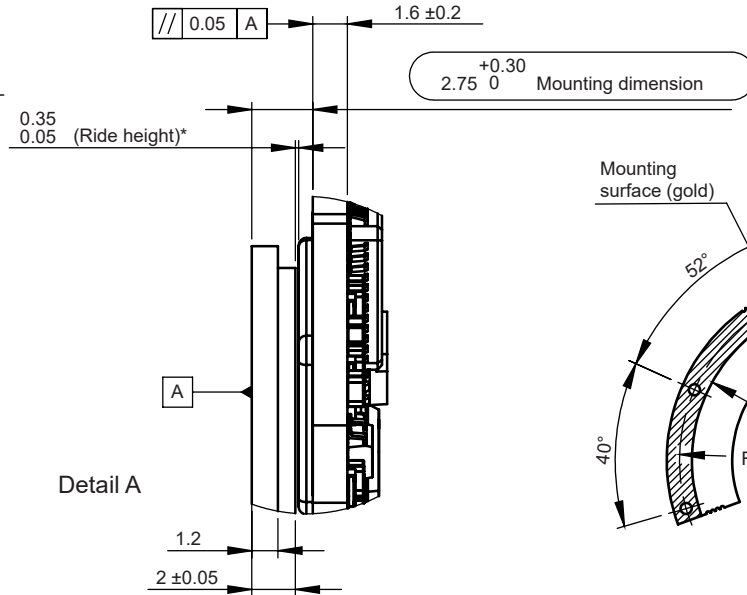
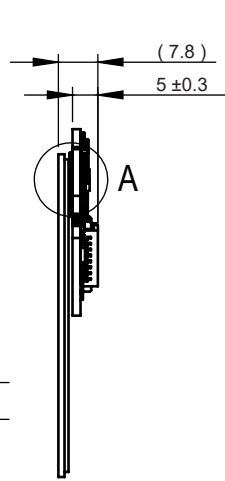
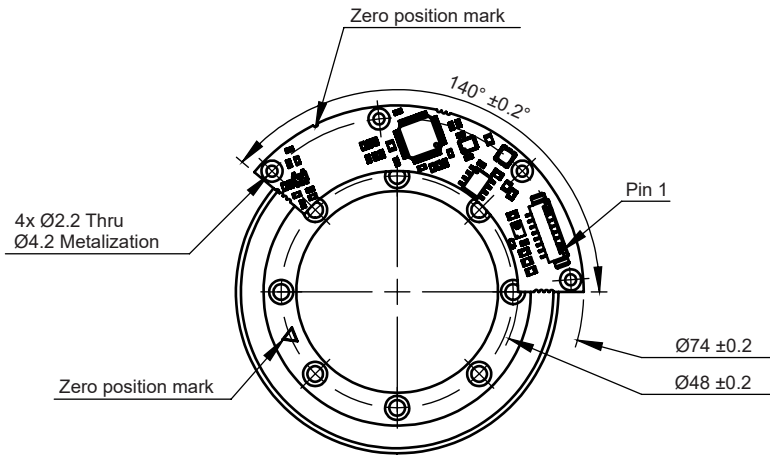


Dimensions and installation drawings

Dimensions and tolerances in mm.

MB064 readhead size D



* Note: Air gap influences noise on the output. See pages 13 and 17 for details.

MRA064BC040DSE00 ring

8x For fasteners
M2.5 ISO 7046

