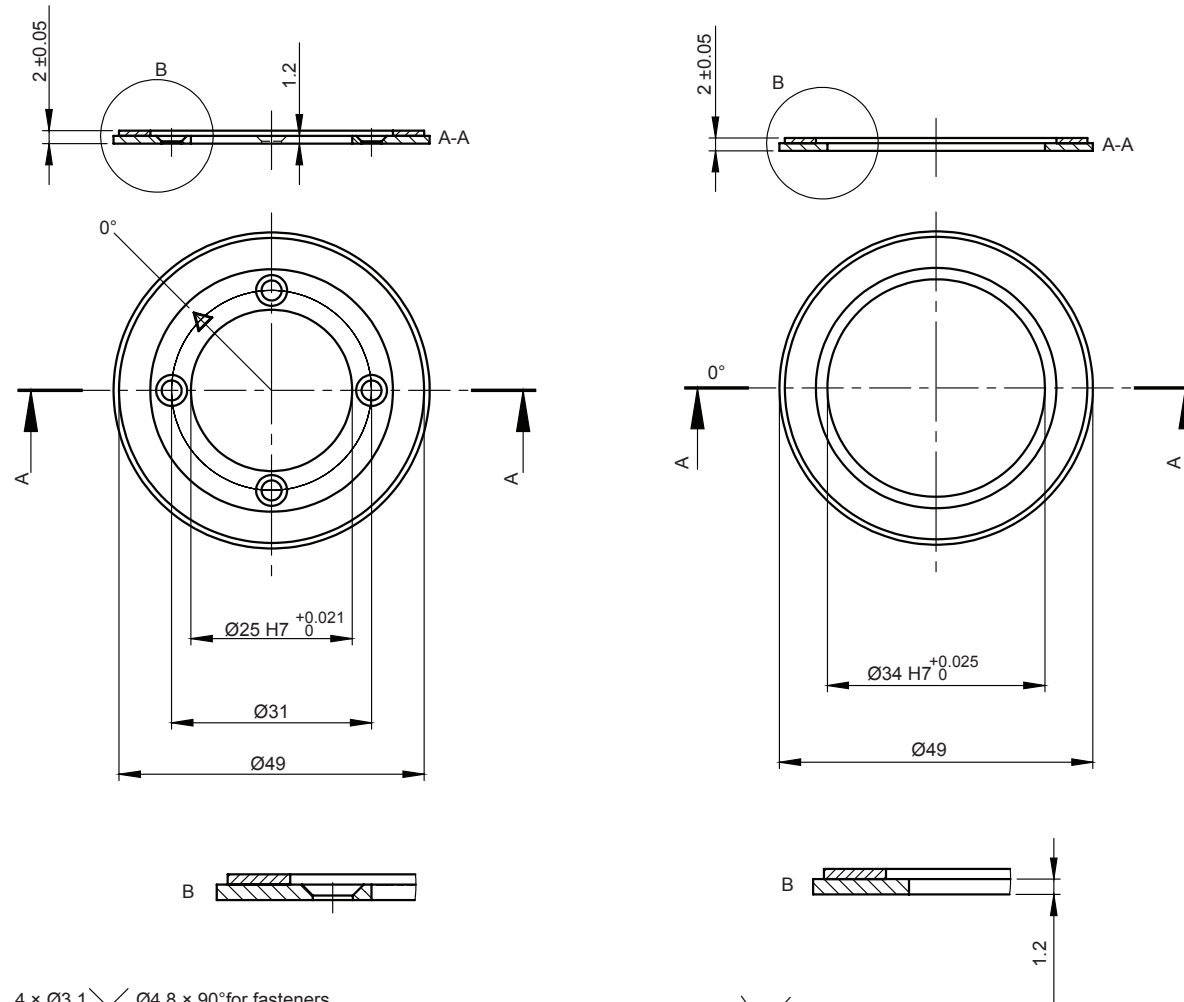


# AksIM-2 off-axis rotary absolute encoder

Readhead MRA49 dimensions and tolerances in mm



4 × Ø3.1  $\nabla$  Ø4.8 × 90° for fasteners  
For fasteners M2.5 × 6 ISO 7046 (DIN 965)

4 × Ø3.1  $\nabla$  Ø4.8 × 90° for fasteners  
For fasteners M2.5 × 6 ISO 7046 (DIN 965)