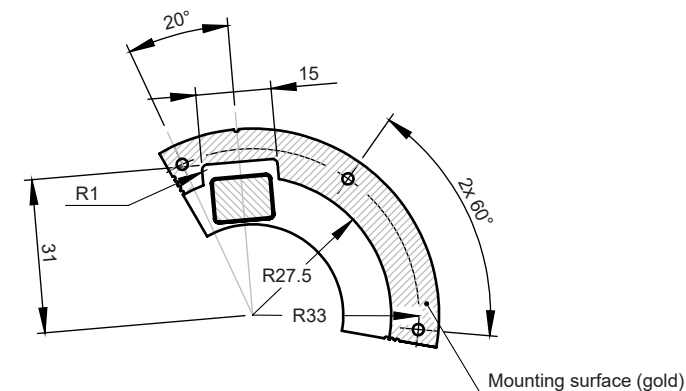
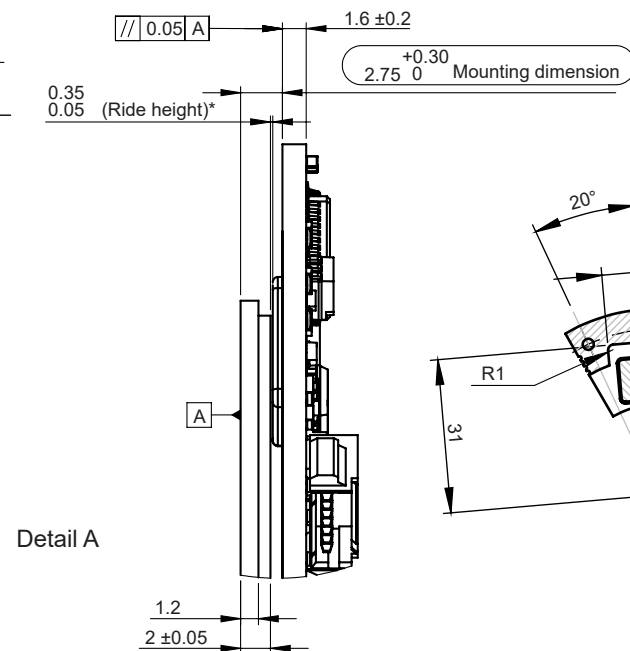
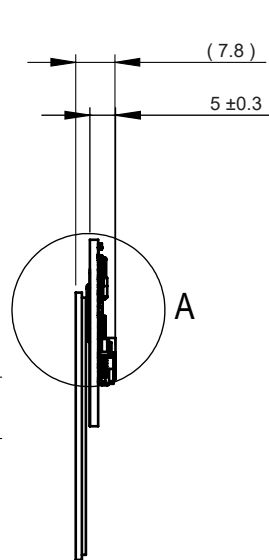
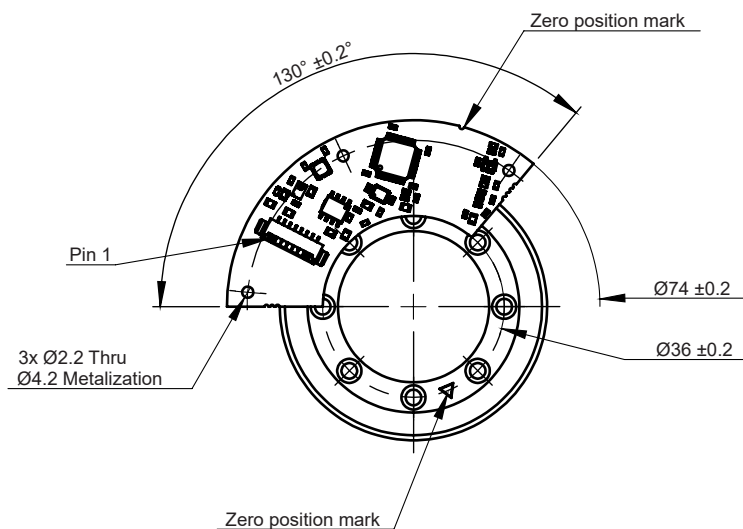


## Dimensions and installation drawings

Dimensions and tolerances in mm.

### MB053 readhead size E



\* Note: Air gap influences noise on the output. See pages 13 and 17 for details.

### MRA053BC030DSE00 ring

