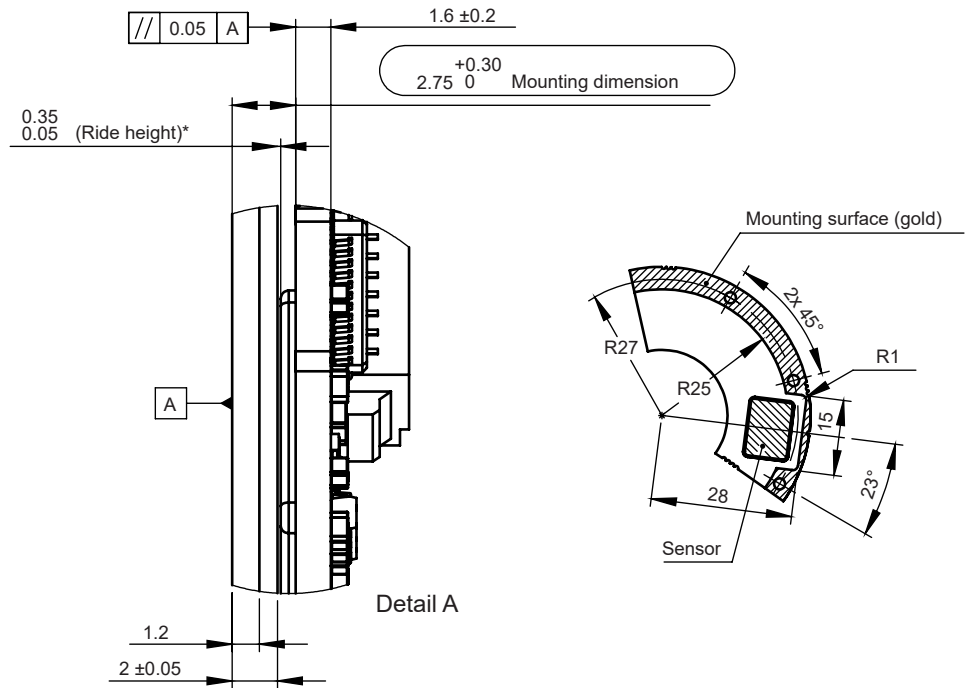
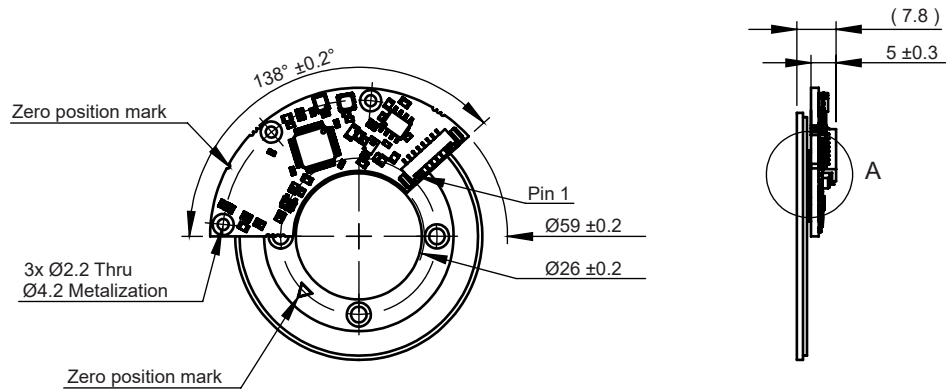


Dimensions and installation drawings

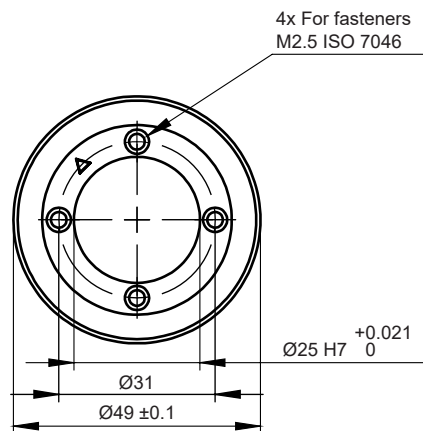
Dimensions and tolerances in mm.

MB049 readhead size E

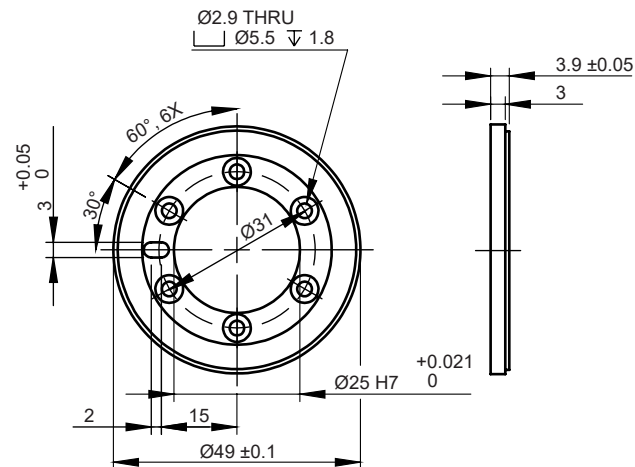


* Note: Air gap influences noise on the output. See pages 13 and 17 for details.

MRA049BC025DSE00 ring



MRA049AF025EMH00 ring



MRA049BG034DSN00 ring

